



Shopfitting Brochure

2023





If you require further information about the Wilks products featured within this brochure, then we would love to hear from you. Orders and sample requests can be placed through our website or our sales team.

ADDRESS

Flexiteek International Ltd.
Woodrolfe Road
Tollesbury
Essex
CM9 8RY

Opening Hours:
Monday - Friday
09:00 - 17:00

www.wilks.co.uk

Telephone: +44 (0)1621 869609
Email: info@wilks.co.uk

CONTENTS

Shop Fitting Introduction	Page 4
30mm Range	Page 5
50mm Range	Page 7
52mm Range	Page 9
922/F	Page 11
Heavy Duty Buffers	Page 13
Other Buffers	Page 17
Hand Rails	Page 19
Floor Seals	Page 20
'T' Profiles and Trims	Page 21
Contact Us	Page 22

SHOPFITTING INTRODUCTION

Wilks buffer and fendering systems are the leading products used by supermarkets to protect their high traffic store locations such as checkouts, service areas and walkways. In fact, you will find a variety of Wilks solutions used by most of the UK supermarket brands.

Our extensive standard range of buffer systems are also available and stocked in packs for smaller applications. With our in-house tooling facilities, we can produce new profiles in either flexible, dual hardness, semi-rigid or rigid PVC at very reasonable costs.

Take a look at our range and talk to our Sales Team. We've got more than 50 years of experience (1973 – 2023) developing effective buffer and fendering solutions for both the retail and marine sectors, and our team offer great customer service every step of the way.



30mm RANGE

DESCRIPTION

Our popular 30mm range of profiles is a staple feature on a variety of checkout installations and is available in 3 different body types to tackle a wide variety of applications and working environments.

OPTIONS

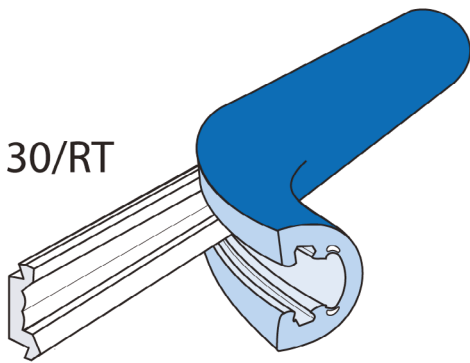
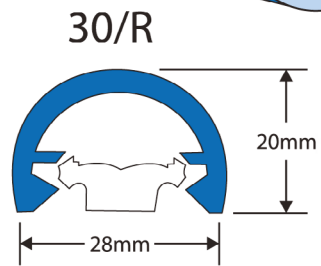
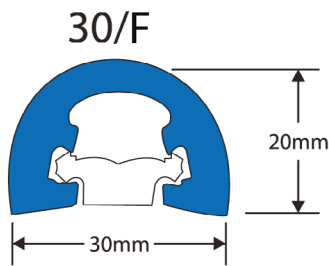
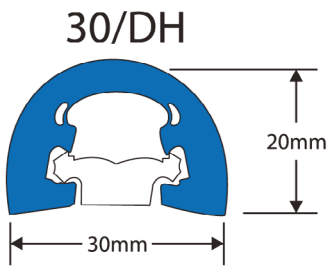
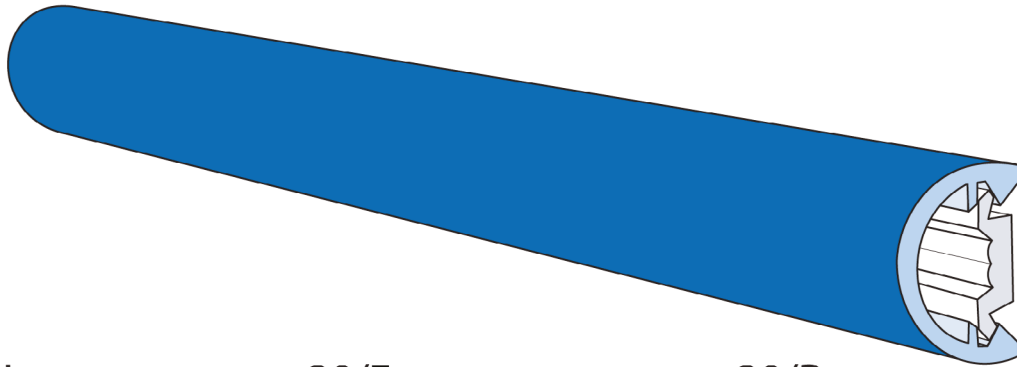
The 30mm range consists of 3 different bodies to tackle a wide range of customer requirements:

- 30/DH** - Flexible dual hardness PVC which effortlessly bends around a 42mm radius without deformation or the need of preform. The integral rigid PVC strips ensure that the stretching and shrinking of profiles become a thing of the past.
- 30/F** - Our original flexible PVC buffer offering a wonderfully simple to install solution to a assortment of protection needs.
- 30/R** - Lightweight yet tough rigid PVC buffer offers speedy, snap-on fit installation. Clean lines make it the perfect solution for straight runs and 90° corners.

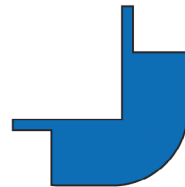
All 3 bodies utilise the same 30/RT rigid PVC track and can be finished with either end caps or 90° corner mouldings.

PRODUCT CODE	DESCRIPTION	MATERIAL	STOCK SIZE	SPECIAL ORDERS
30/DH	Body	Dual Hardness PVC	2 x 21m pack	From 500m
30/F	Body	Flexible PVC	non-stock	From 500m
30/R	Body	Rigid PVC	20 x 4m pack	From 560m
30/RT	Track	Rigid PVC	4m length	From 650m
30/M2	End Cap	Polypropelene	25 unit pack	From 200 units
30/M3	90° Corner	Polypropelene	25 unit pack	From 200 units

30mm RANGE



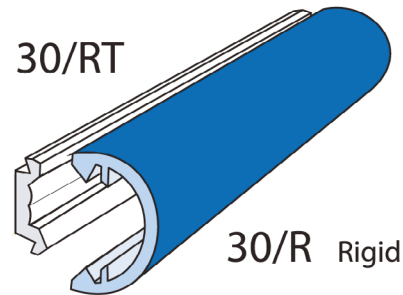
30/DH Dual Hardness Flexible



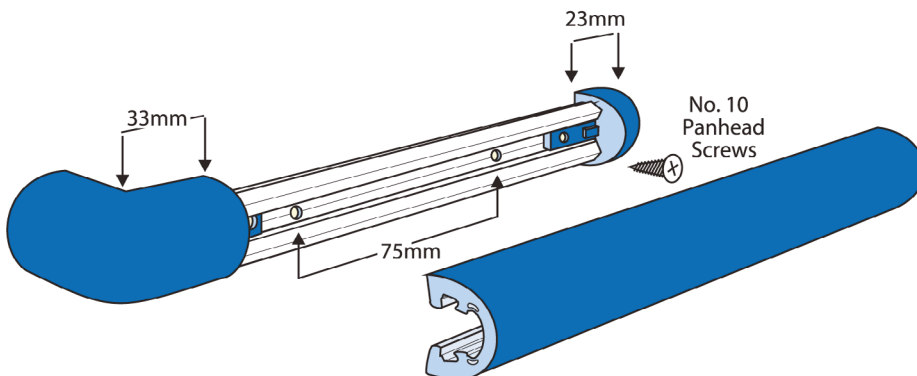
30/M3 Corner



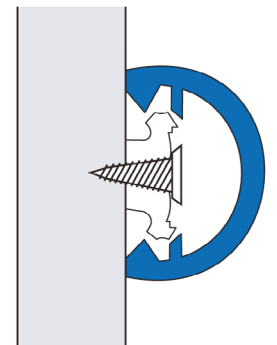
30/M2 End Cap



30/R Rigid



No. 10 Panhead Screws



50mm RANGE

DESCRIPTION

Our 50mm Range of profiles feature perfectly in areas of high traffic. Providing effective protection that does not compromise on design. To benefit as many working environments as possible, the 50mm range is available in 3 different body types.

OPTIONS

50/DH - Flexible dual hardness PVC which effortlessly bends around curves without deformation or the need to preform.

The integral rigid PVC strips ensure that the stretching and shrinking of profiles become a thing of the past.

50/F - Our original flexible PVC buffer offers a wonderfully simple to install solution to a variety of protection needs.

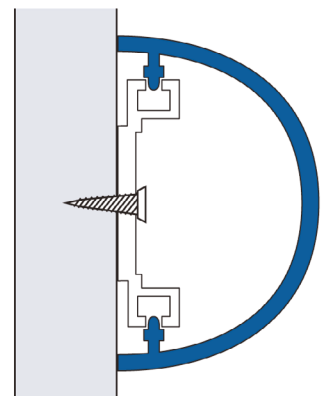
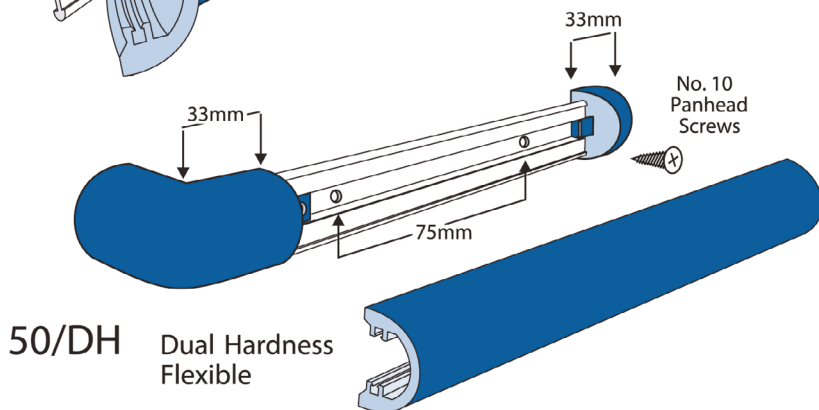
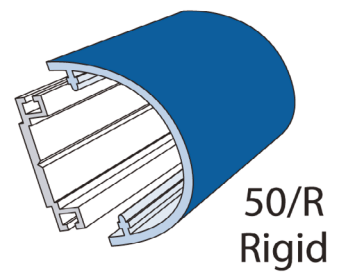
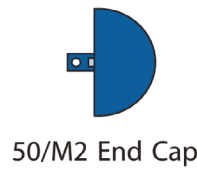
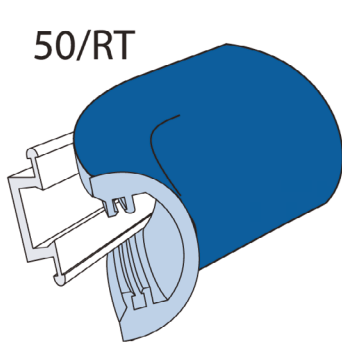
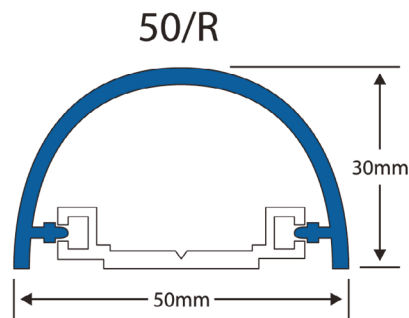
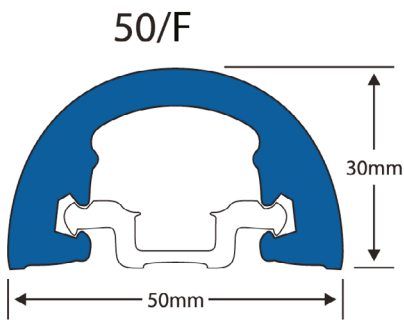
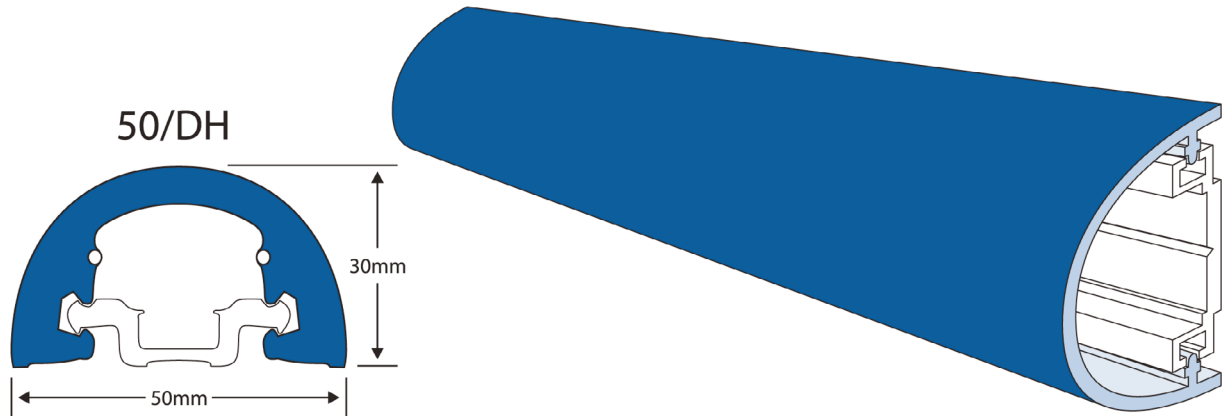
50/R - Lightweight yet tough rigid PVC buffer offers speedy, snap-on fit installation.

Clean lines following installation make it the perfect solution for straight runs and 90° corners.

All 3 bodies can be finished with either end caps or 90° corner mouldings.

PRODUCT CODE	DESCRIPTION	MATERIAL	SPECIAL ORDERS
50/DH	Body	Dual Hardness PVC	Min. order 200m
50/F	Body	Flexible PVC	Min. order 200m
50/R	Body	Rigid PVC	From 200m
50DH/RT	Track for DH profiles	Rigid PVC	Min. order 300m
50F/RT	Track for F profiles	Rigid PVC	From 300m
50R/RT	Track for R profiles	Rigid PVC	From 200m
50/M2	End Cap	Polypropelene	From 200m units
50/M3	90° corner	Polypropelene	From 200m units

50mm RANGE



52mm RANGE

DESCRIPTION

Our 52mm range is perfect for tackling straight edges. Especially when the quick installation of sharp lines is crucial.

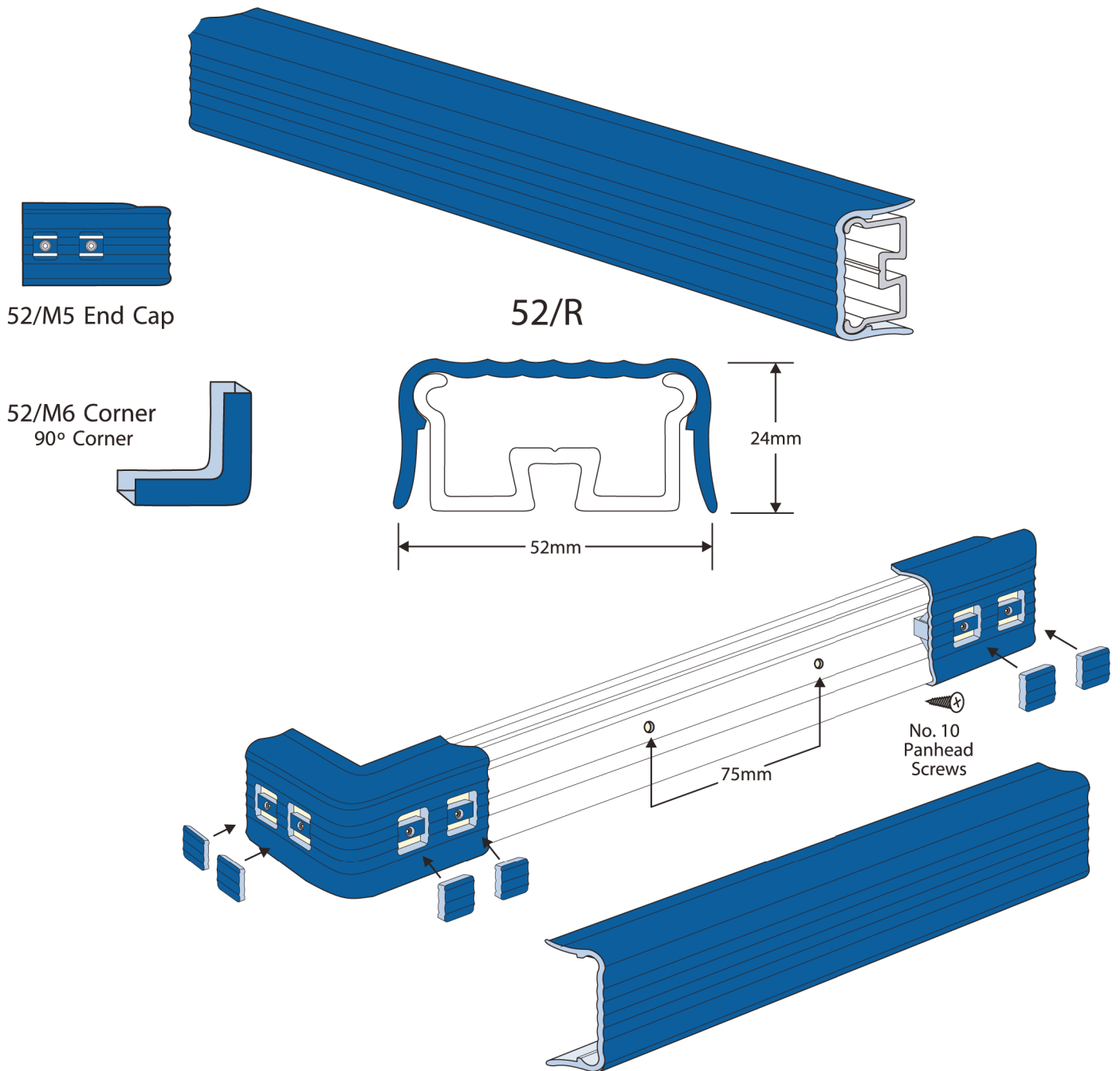
OPTIONS

A selection of front fitting mouldings allow for the end of a run to be finished as well as 90° and 42mm radius corners.

PRODUCT CODE	DESCRIPTION	MATERIAL	STOCK SIZE	SPECIAL ORDERS
52/R	Body	Rigid PVC	10 x 4m pack	From 640m
52/RT	Track	Rigid PVC	4m lengths	From 400m
52/M3	Black 90° corner	Polypropelene	25 unit pack	Min. order 200
52/M5	End cap	Polypropelene	Non-stock	Min. order 200
52/M6	90° corner	Polypropelene	Non-stock	Min. order 200



52mm RANGE



922/F

DESCRIPTION

An easy to fit 30mm buffer with a contrasting coloured insert. This general purpose buffer easily bends around corners to follow a mitred track.

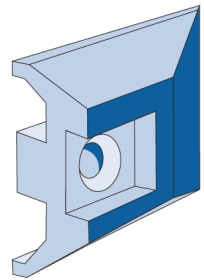
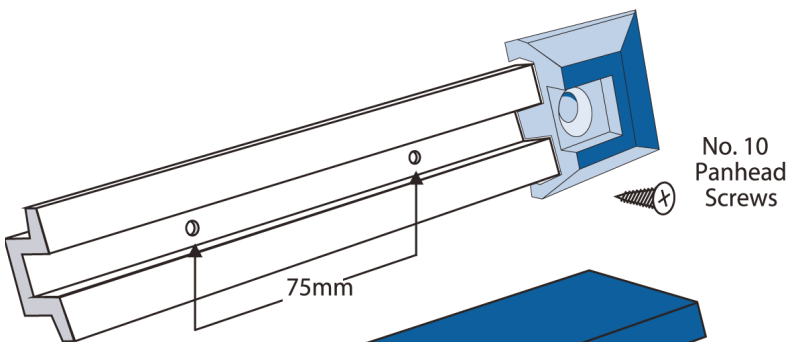
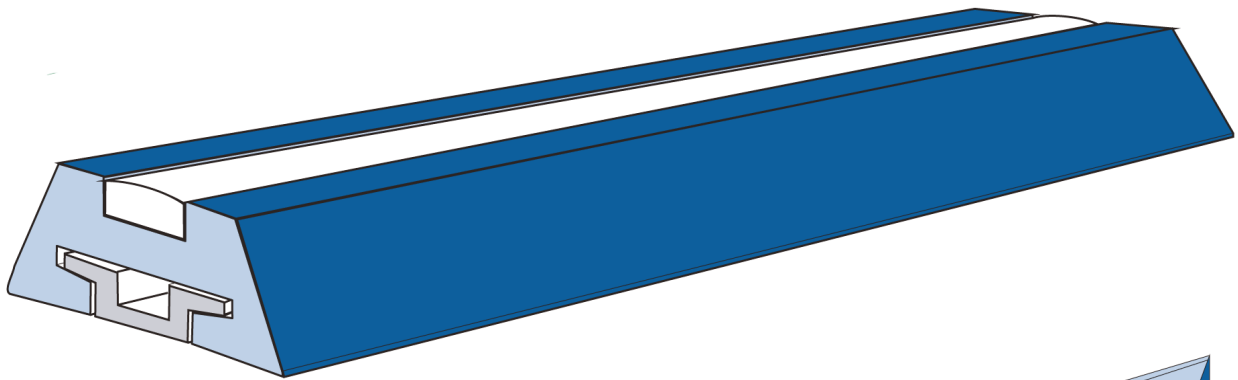
OPTIONS

Available in black body and grey insert as standard, alternative colours are available upon request to complement your latest design themes.

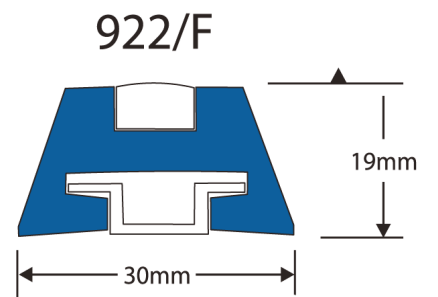
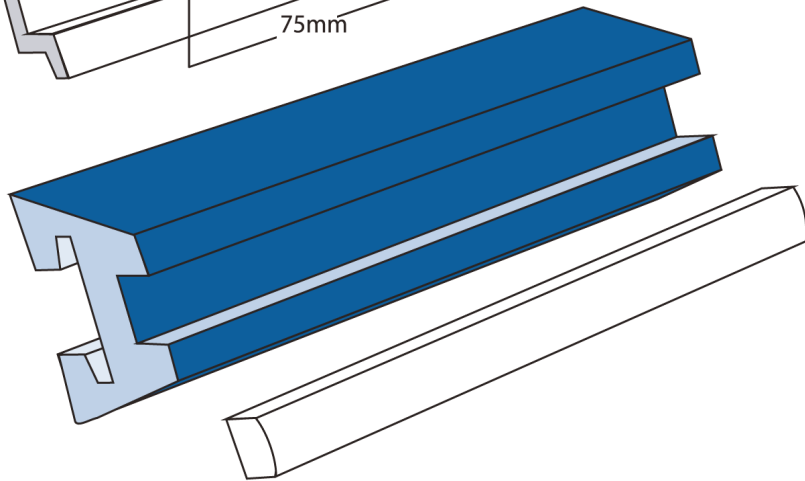
PRODUCT CODE	DESCRIPTION	MATERIAL	STOCK SIZE	SPECIAL ORDERS
922/F	Body	Flexible PVC	Non Stock	Min. order 195m
922/1	Insert	Flexible PVC	Non Stock	Min. order 195m
922/RT	Track	Rigid PVC	Non Stock	Min. order 180m
922/M2	End Stop	Polypropelene	Non Stock	Min. order 2000



922/F



922/M2 End Caps



HEAVY DUTY BUFFERS

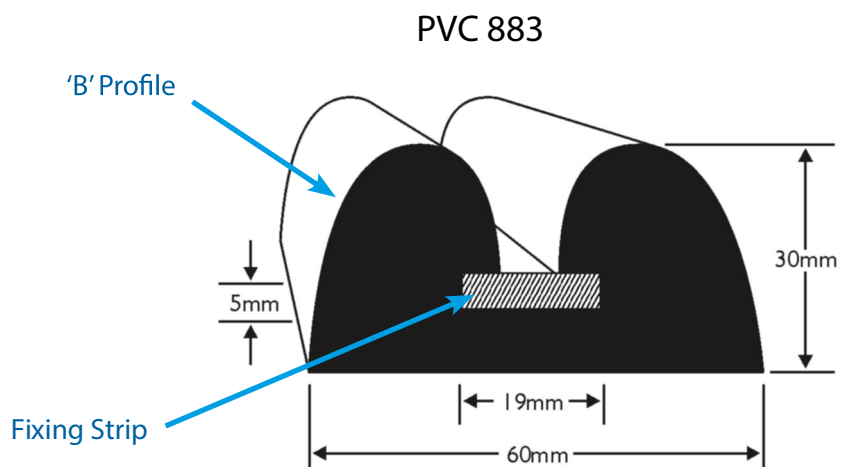
DESCRIPTION

A selection of profiles for areas where high levels of protection are required.

OPTIONS

For PVC 883 range we are able to supply a variety of options to suit the individual requirements of your project.

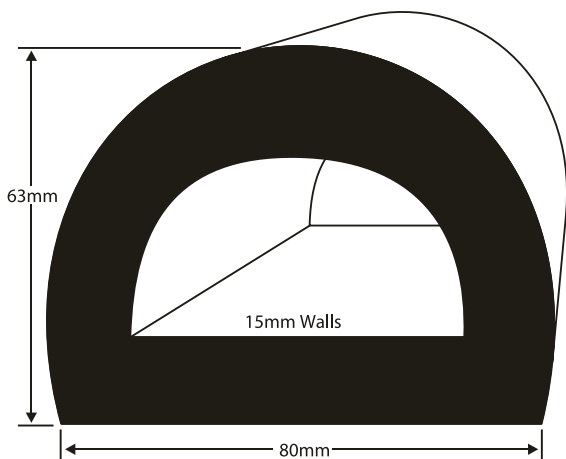
PRODUCT CODE	DESCRIPTION	MATERIAL	STOCK SIZE	SPECIAL ORDERS
PVC 883	'B' Profile	Flexible PVC	10m & 15m coils	From 80m
19 x 3mm Strip	Retainer	Rigid PVC	3m	From 500m



HEAVY DUTY BUFFERS

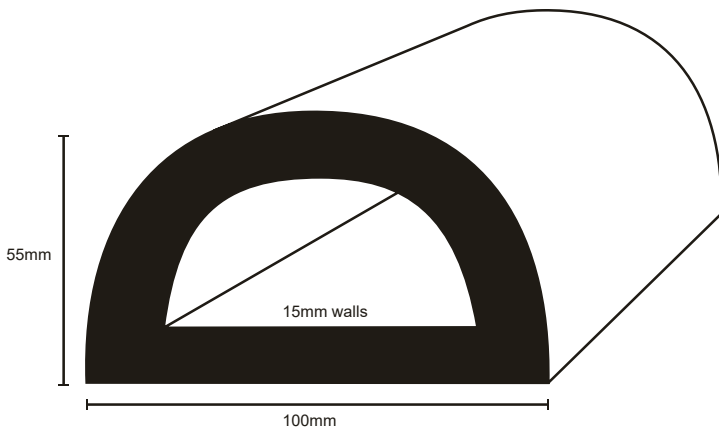
'D' Profiles

For use in areas where maximum protection is required. These durable profiles are all manufactured with non-marking PVC. For our full range and installation guides, please visit our website at www.wilks.co.uk.



PVC 63

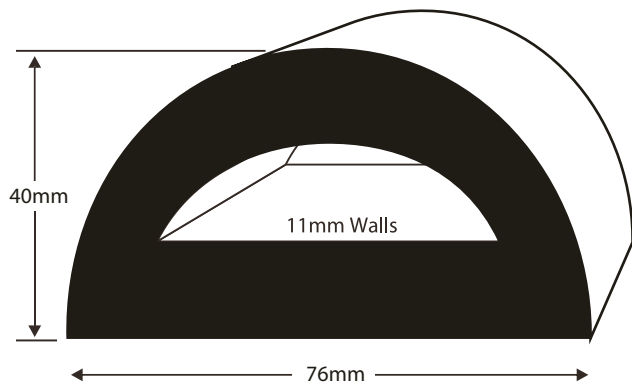
PRODUCT	DESCRIPTION	AVAILABILITY
PVC 63	Black	3m & 9m stock
	White (PVC)(50)	100m min. order
	38 x 6mm Rigid PVC Strip	4m stock
	19mm PVC Cord Plugging	3m stock



PVC 2379

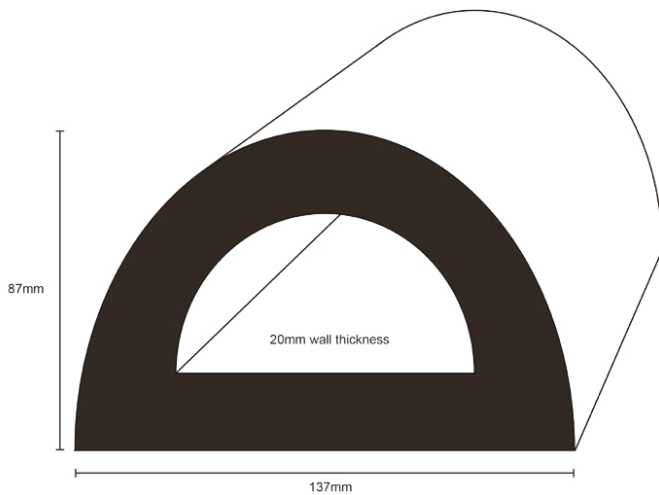
PRODUCT	DESCRIPTION	AVAILABILITY
PVC 2379	Black (50)	3m & 5m stock
	50 x 8mm Rigid PVC Strip	4m stock
	25mm PVC Cord Plugging	3m stock

HEAVY DUTY BUFFERS



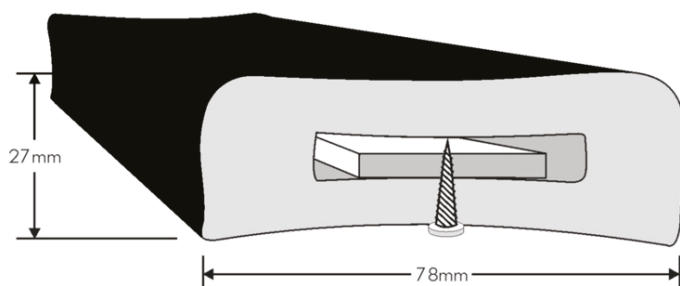
PVC 72

PRODUCT	DESCRIPTION	AVAILABILITY
PVC 72	Black	3m & 9m stock
	White (50)	150m min. order
31 x 3mm Rigid PVC Strip		3m stock
19mm PVC Cord Plugging		3m stock



PVC 2448

PRODUCT	DESCRIPTION	AVAILABILITY
PVC 2448	White/ Black (50)	100m min.order
50 x 8 mm Rigid PVC Strip		4m stock
25mm PVC Cord Plugging		3m stock



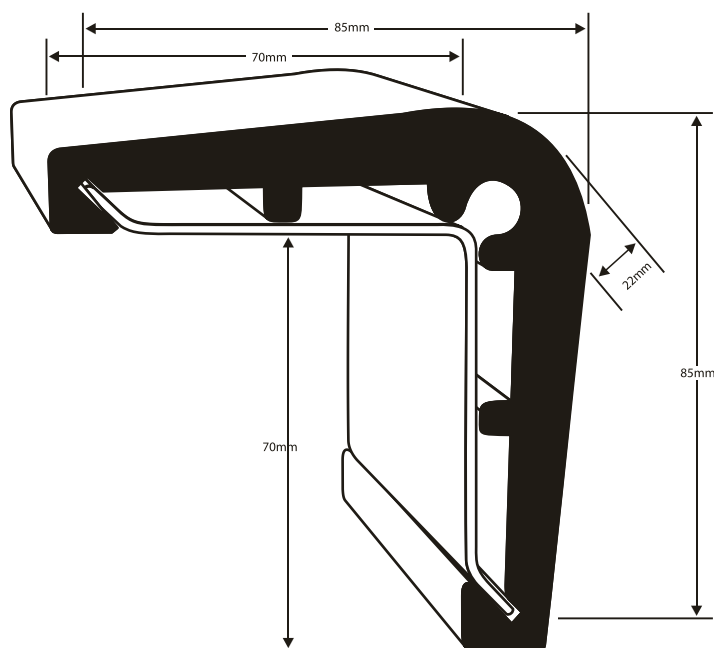
PVC 1160/F

PRODUCT	DESCRIPTION	AVAILABILITY
PVC 1160/F	Flexible PVC Black Body	100m min. order
31 x 3mm Rigid PVC Strip		3m stock

HEAVY DUTY BUFFERS

A protection buffer suitable for interior and exterior walls including car park columns.

PVC 2091 is designed to fit an aluminium retainer. Please note that the aluminium retainer is not supplied.



PVC 2091

PRODUCT	DESCRIPTION	AVAILABILITY
PVC 2091	Black (50) Corner Guard	60m min. order



OTHER BUFFERS

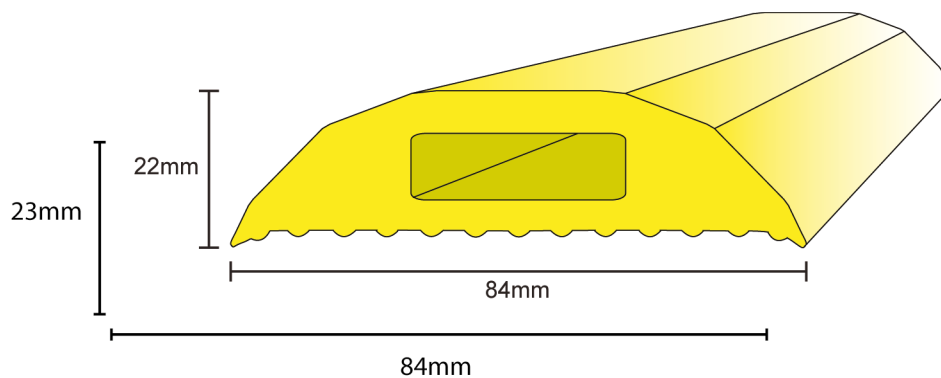
High visibility floor bumps which can be installed in trolley parks and used to help retain trolleys.

The low level bump does not restrict any customers or staff from moving a trolley over it, yet it can restrict wheel movement which can prevent trolleys from moving whilst unattended. This protects vehicles and pedestrians by preventing and reducing the chances of accidents.

PVC 2013 is fitted by running a fixing strip through the core of the profile and bolting into position.

PVC 2013

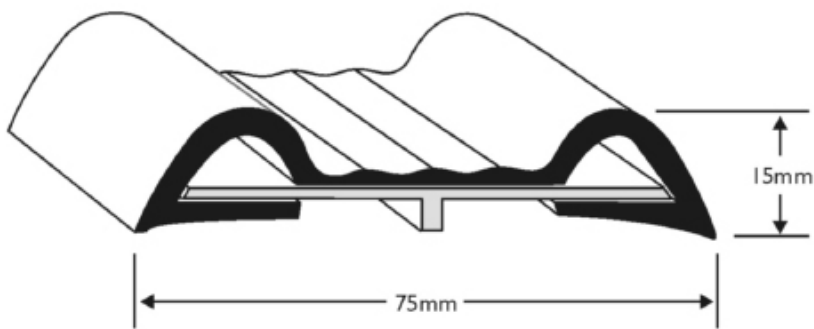
PRODUCT CODE	DESCRIPTION	MATERIAL	STOCK SIZE	SPECIAL ORDERS
PVC 2013	Body	Flexible PVC	Non Stock	From 500m
25 x 3mm Strip	Retainer	Rigid PVC	3m	From 450m



OTHER BUFFERS

PVC 1540

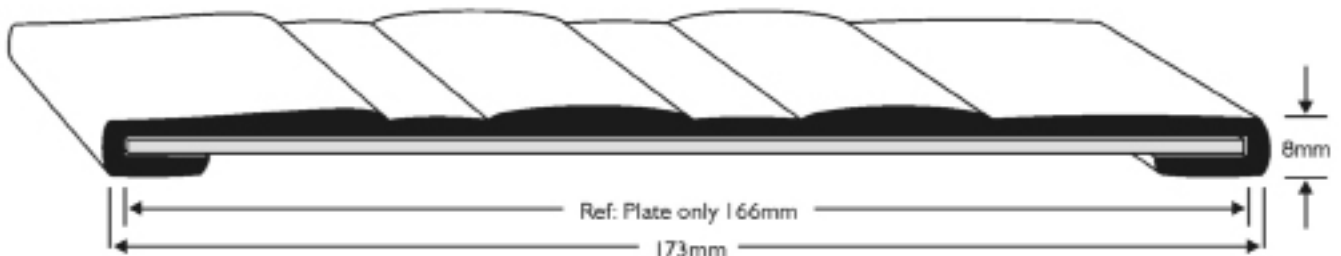
A flexible PVC buffer designed to fit a 64mm x 1.2mm aluminium plate.



PRODUCT CODE	DESCRIPTION	MATERIAL	STOCK SIZE	SPECIAL ORDERS
PVC 1540	Body	Flexible PVC	Non Stock	From 275m
PVC 1540M	End Cap	Polypropelene	Non Stock	From 500 units

PVC 1500

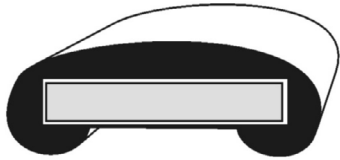
A flexible PVC buffer designed to fit a 166mm x 1.4mm aluminium plate.



PRODUCT CODE	DESCRIPTION	MATERIAL	STOCK SIZE	SPECIAL ORDERS
PVC 1500	Body	Flexible PVC	Non Stock	From 400m

HAND RAILS

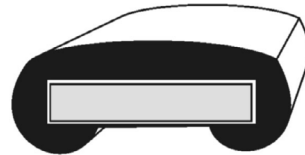
Plain Top fits 40 x 8mm Bar



PVC 1289

MATERIAL	STOCK SIZE	SPECIAL ORDERS
Flexible PVC	Non Stock	Min. order 250m

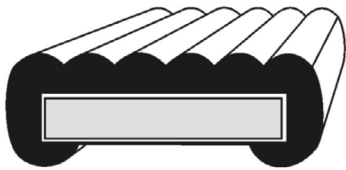
Plain Top fits 35 x 8mm Bar



PVC 529

MATERIAL	STOCK SIZE	SPECIAL ORDERS
Flexible PVC	Non Stock	Min. order 300m

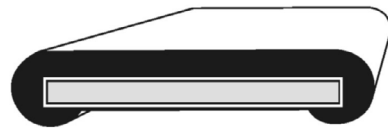
Ribbed Top fits 40 x 8mm Bar



PVC 1703

MATERIAL	STOCK SIZE	SPECIAL ORDERS
Flexible PVC	Non Stock	Min. order 170m

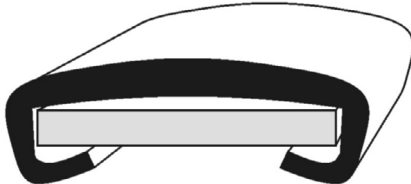
Plain Top fits 50 x 5mm Bar



PVC 1126

MATERIAL	STOCK SIZE	SPECIAL ORDERS
Flexible PVC	Non Stock	Min. order 300m

Plain Top fits 50 x 8mm Bar



PVC 1432

MATERIAL	STOCK SIZE	SPECIAL ORDERS
Flexible PVC	Non Stock	Min. order 250m

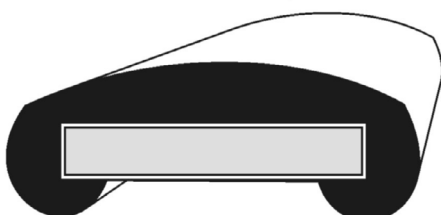
Ribbed Top fits 50 x 2mm Bar



PVC 1144

MATERIAL	STOCK SIZE	SPECIAL ORDERS
Flexible PVC	Non Stock	Min. order 200m

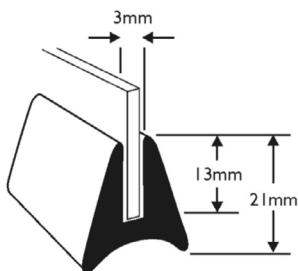
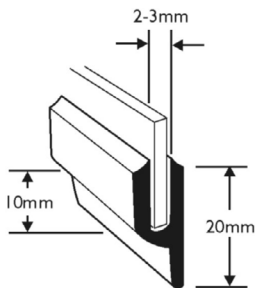
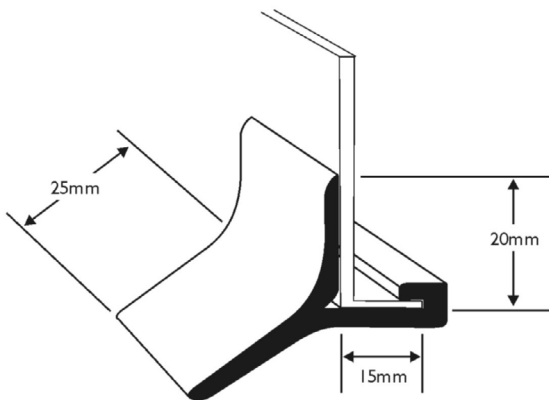
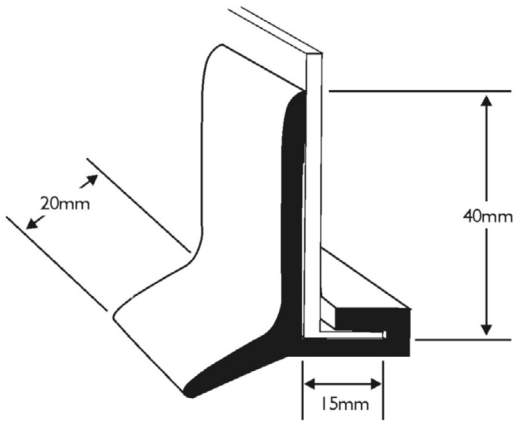
Plain Top fits 50 x 9mm Bar



PVC 267

MATERIAL	STOCK SIZE	SPECIAL ORDERS
Flexible PVC	Non Stock	From 180m

FLOOR SEALS



Please note: retainers not supplied.

PVC 1539

MATERIAL	STOCK SIZE	SPECIAL ORDERS
Flexible PVC	Non Stock	From 500m

PVC 1401

MATERIAL	STOCK SIZE	SPECIAL ORDERS
Flexible PVC	Non Stock	Min. Order 600m

PVC 1164

MATERIAL	STOCK SIZE	SPECIAL ORDERS
Flexible PVC	Non Stock	Min. Order 650m

PVC 1359

MATERIAL	STOCK SIZE	SPECIAL ORDERS
Flexible PVC	Non Stock	Min. Order 600m

'T' PROFILES AND TRIMS

DESCRIPTION

A wide range of flexible PVC 'T' profiles.

If you are unable to find the products that you need please do not hesitate to contact us to discuss your exact requirements. Our in-house tooling facilities ensure that we are able to offer our customers full support from the early stages of product development through to manufacture. We can also extrude custom-made profiles to your specific colour requirements with reasonable minimum order quantities.



Plain



Ribbed

PRODUCT CODE	WIDTH	FACE DESIGN	STOCK SIZE	SPECIAL ORDERS
PVC 579	16mm	Plain	Non-Stock	From 600m
PVC 1688	16.5mm	Plain	Non-Stock	From 600m
PVC 458	18mm	Plain	Non-Stock	From 600m
PVC 749	19mm	Ribbed	Non-Stock	From 600m
PVC 531	20mm	Plain	Non-Stock	From 600m
PVC 745	20mm	Ribbed	Non-Stock	From 600m
PVC 1405	21mm	Plain	Non-Stock	From 600m
PVC 1286	22mm	Plain	Non-Stock	From 600m
PVC 750	22mm	Plain	Non-Stock	From 600m
PVC 1616	23mm	Plain	Non-Stock	From 600m
PVC 646	25mm	Ribbed	Non-Stock	From 600m
PVC 828	25mm	Plain	Non-Stock	From 600m
PVC 530	27.5mm	Ribbed	Non-Stock	From 600m
PVC 580	28mm	Plain	Non-Stock	From 600m
PVC 1034	29mm	Plain	Non-Stock	From 600m

CONTACT US

If you would like further information on the Wilks products featured in this brochure, then we would love to hear from you.

Orders and sample requests can be placed through our website and/or Sales Team.

www.wilks.co.uk
Telephone: +44 (0)1621 869609
Email: info@wilks.co.uk
Opening Hours:
Monday - Friday
09:00 - 17:00

Flexiteek International Ltd.
Woodrolfe Road, Tollesbury,
Essex CM9 8RY England

DISCLAIMER

All dimensions and information shown in this brochure is to our knowledge correct at the time of distribution. They are subject to our normal manufacturing tolerances and any modifications that we feel are necessary. Whilst we have endeavoured to ensure that the information given in here is true and reliable it is given for only the guidance of our customers. It is the user's responsibility to ascertain the suitability of products by their own tests.

"Wilks" is a registered trademark of Flexiteek International Ltd.

No part of this catalogue may be reproduced without the express permission of Flexiteek International Ltd.

FLEXITEEK

Beautifully engineered synthetic decking
and marine products.

T +44 (0)1621 869609
E sales@wilks.co.uk
W www.wilks.co.uk
W www.flexiteek.com
A Woodrolfe Rd, Tollesbury,
Essex, CM9 8RY, England