



Marine Profiles Brochure

2023



FLEXITEEK

Beautifully engineered synthetic decking
and marine products.



If you require further information about the Wilks products featured within this brochure, then we would love to hear from you. Orders and samples request can be placed through our website or our sales team.

ADDRESS

Flexiteek International LTD
Woodrolfe Road
Tollesbury
Essex
CM9 8RY

Opening Hours:
Monday - Friday
09:00 - 17:00

www.wilks.co.uk

Telephone: +44 (0)1621 869609
Email: sales@wilks.co.uk

CONTENTS

Company Overview	<u>Page 4</u>
Choosing Your Fendering	<u>Page 5</u>
Material Types	<u>Page 6</u>
Click	<u>Page 7</u>
Rigid PVC With Stainless Steel Inserts	<u>Page 9</u>
Rigid PVC With PVC Inserts	<u>Page 11</u>
Aluminium Profile With PVC Inserts	<u>Page 13</u>
Low Friction Profiles	<u>Page 16</u>
General PVC Profiles	<u>Page 17</u>
U Profiles	<u>Page 18</u>
B Profiles	<u>Page 26</u>
BUMP!	<u>Page 29</u>
D Profiles	<u>Page 30</u>
Other Profiles	<u>Page 38</u>
Flexiteek Trims	<u>Page 42</u>
BUMP! Traditional	<u>Page 49</u>
End Caps	<u>Page 51</u>
Fixing Strips And Cord Plugging	<u>Page 52</u>
Flexiteek	<u>Page 53</u>
Contact Us	<u>Page 54</u>

COMPANY OVERVIEW

Wilks are one of the world's leading marine fendering brands, with a wide range of specialist profiles helping to protect every size of boat. This trusted, versatile, quality product can also be used for shopfitting fixture protection, and across general industry.

Celebrating its 50th year (1973 – 2023), the Wilks brand is manufactured in Essex in the UK, providing solutions worldwide to leading companies across marine and other sectors. The chances are you will have seen Wilks products in daily use without even realising it.

Proud member :



CHOOSING YOUR FENDERING

When choosing a fendering profile, the first thing to consider is whether the profile will be fitted onto a flat or flanged (lipped) surface. The size of the profile can then be generally determined by the space available to work with on the boat as well as the requirements of the fendering.

A working boat will often be fitted with a heavy duty D profile whereas, in contrast, a day cruiser would feature a profile akin to a rigid PVC/aluminium profile fitted with a PVC insert.

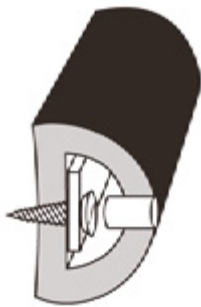
All profile drawings in this brochure are true to size to allow easy matching of "like for like" profiles, by placing your existing fender onto the profile drawing.

To have your existing profile matched by our sales team, please email us a photo or post us a small sample of your fender using the contact details at the back of this brochure.

Fitting guides are available on our website for each profile type to assist with both trade and retail installations.

IDENTIFY YOUR PROFILE

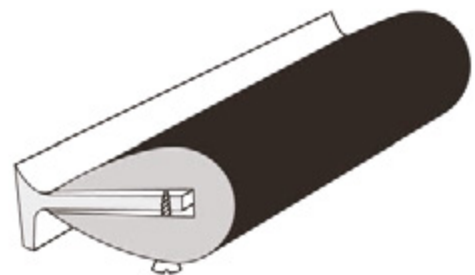
Below are a variety of joins and flanges to help identify potential fendering profiles.



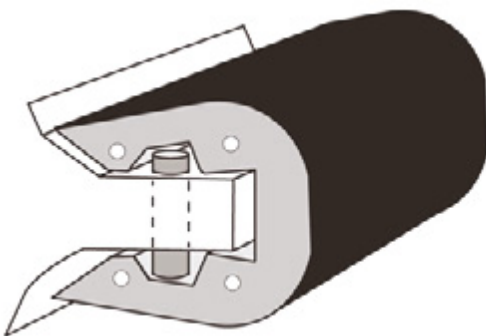
Flat side



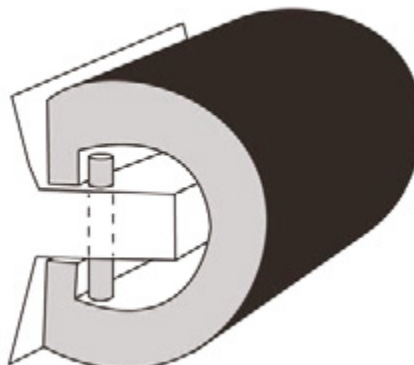
Stepped joint



Flat flange



Riveted flange



Riveted flange

MATERIAL TYPES


We manufacture our profiles in a variety of materials which have been carefully selected to provide optimal performance for each profile's designed application.

We state the material used in the profile's product description.

PVC

Our PVC profiles are extruded in a range of grades (hardnesses) from rigid/01 to soft/50.

PVC GRADES AND DESCRIPTIONS

- 
- RIGID** - These profiles are denoted with an "R".
 - /01** - For body/retainers and rigid strips to strengthen softer PVC profiles. These can be fitted around most bows or transoms providing a radius is present.
 - /15** - A hard yet flexible compound.
 - /20** - Can be heated prior to fitting to stretch over flanges and tight radiuses.
 - /45** - Provides the best performance on impact of all grades.
 - /50** - Soft and flexible and generally does not require pre-heating.



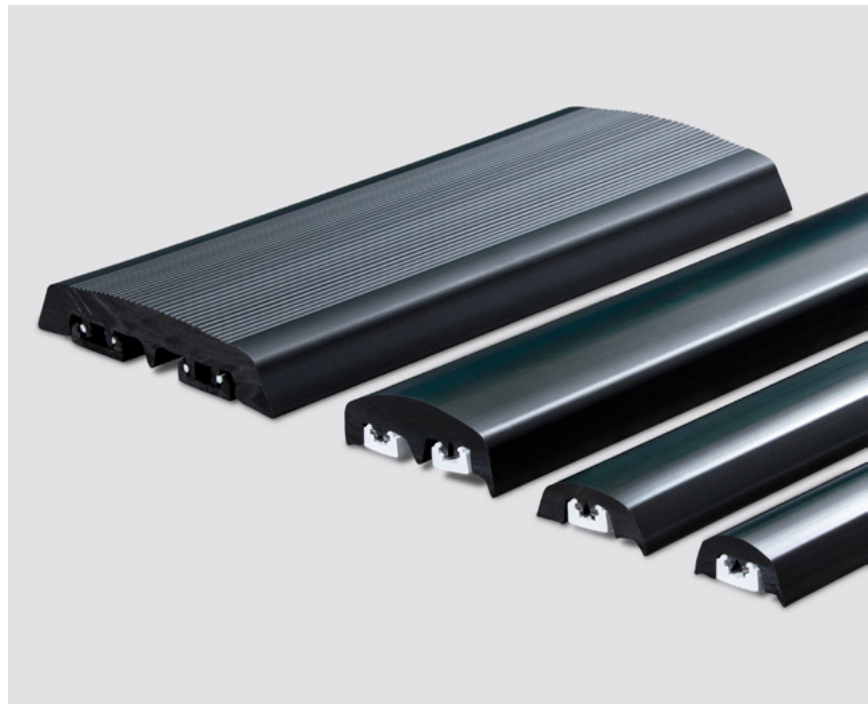
CLICK

We set out to produce the best leisure boat fendering system on the market.

With Click we believe we've succeeded.

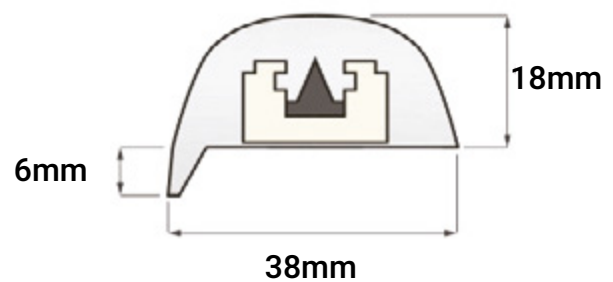
Click is the latest boat fendering system and it has been developed to provide a quick installation without compromise to impact resistance.

The Click system consists of a rigid PVC track and flexible UV stabilised PVC body to provide a quick fit.



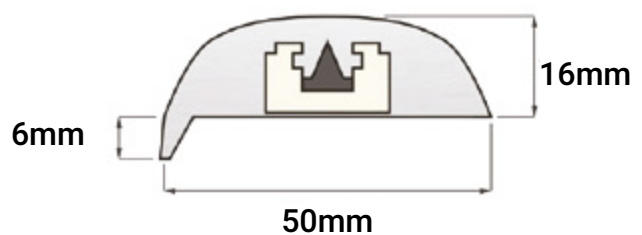
CLICK 38

PRODUCT	DESCRIPTION	AVAILABILITY
CLICK 38	Black/White	5m, 10m, 20m & 30m
	CLICK Track	3m Stock
	CLICK 38 E/C	Stock



CLICK 50

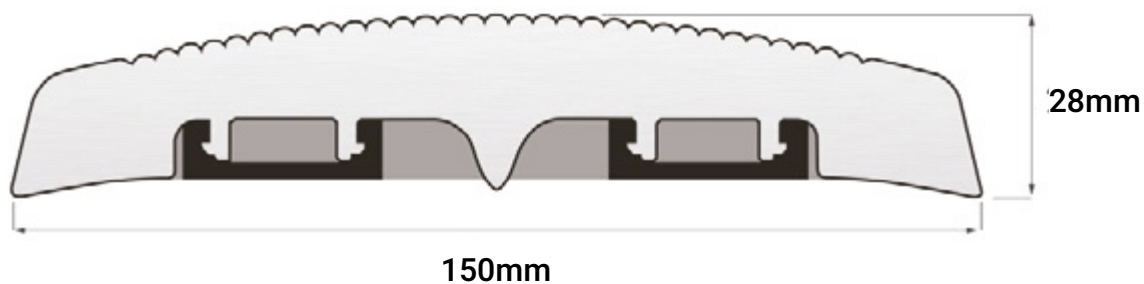
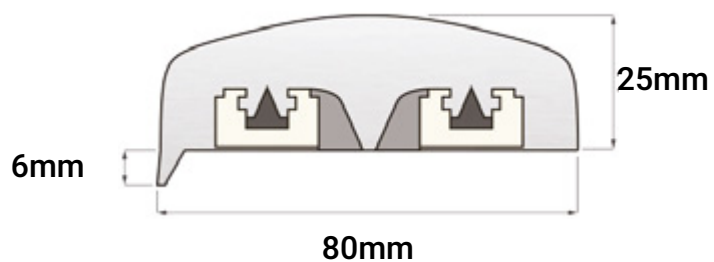
PRODUCT	DESCRIPTION	AVAILABILITY
CLICK 50	Black/White	5m, 10m, 20m & 30m
	CLICK Track	3m Stock
	CLICK 50 E/C	Stock



CLICK

CLICK 80

PRODUCT	DESCRIPTION	AVAILABILITY
CLICK 80	Black/White	10m, 20m & 30m
	CLICK Track	3m Stock
	CLICK 80 E/C	Stock



CLICK 150

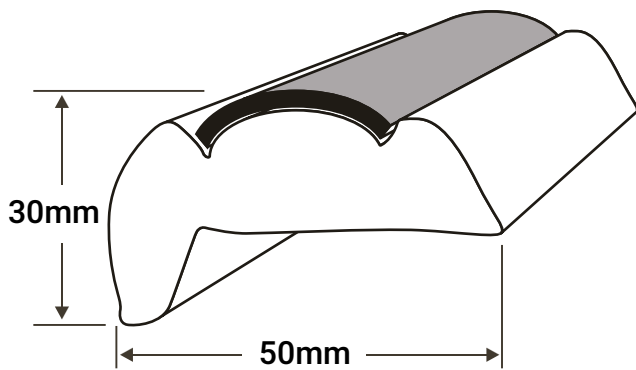
PRODUCT	DESCRIPTION	AVAILABILITY
CLICK 150	Black	20m
	CLICK Track	3m Stock



RIGID PVC WITH STAINLESS STEEL INSERTS

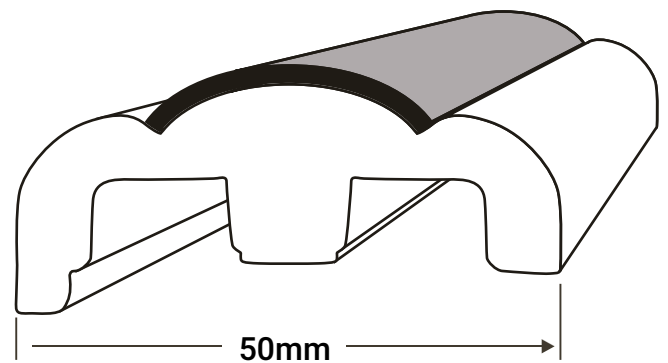
Our range of stainless steel inserts have been created to fit matching Rigid PVC fender profiles to achieve a sleek and elegant fendering solution. This form of fendering is straightforward to install whilst delivering a simple yet effective finish.

Rigid PVC profiles are also available with PVC inserts.



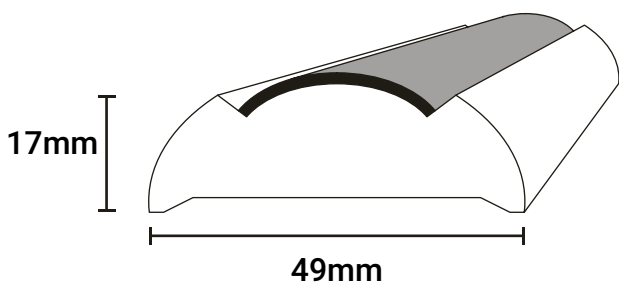
PVC 1881R

PRODUCT	DESCRIPTION	AVAILABILITY
PVC 1881R	White Rigid PVC	3.65m Stock
	25mm Pre-Drilled Stainless Steel Insert	3m Stock



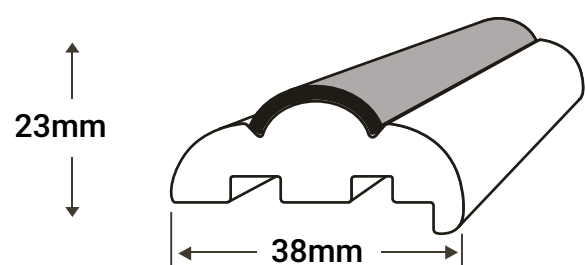
PVC 2300R

PRODUCT	DESCRIPTION	AVAILABILITY
PVC 2300R	White Rigid PVC	3.65m Stock
	38mm Pre-Drilled Stainless Steel Insert	Enquire



PVC 2378R

PRODUCT	DESCRIPTION	AVAILABILITY
PVC 2378	Black/White Rigid PVC	480m min. order
	25mm Pre-Drilled Stainless Steel Insert	4.89m Stock



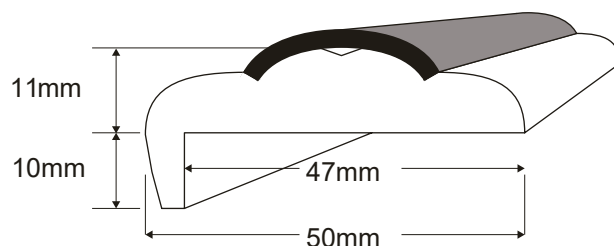
PVC 2318R

PRODUCT	DESCRIPTION	AVAILABILITY
PVC 2318R	White Rigid PVC	3.65m Stock
	19mm Pre-Drilled Stainless Steel Insert	Enquire

RIGID PVC WITH STAINLESS STEEL INSERTS

PVC 2480R

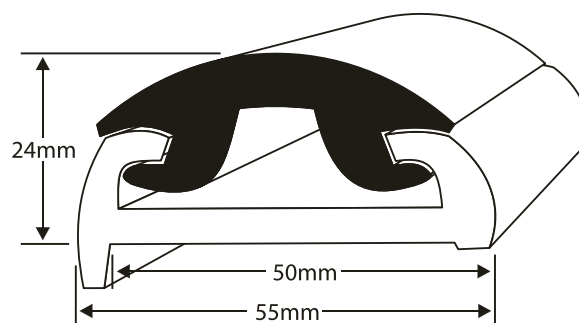
PRODUCT	DESCRIPTION	AVAILABILITY
PVC 2480R	Black/White Rigid PVC	250m min. order
	25mm Pre-Drilled Stainless Steel Insert	4.89m Stock



RIGID PVC WITH PVC INSERTS

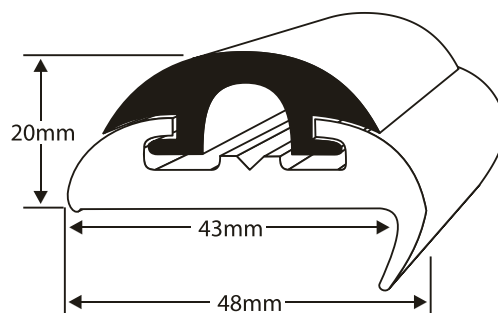
PVC 1613R

PRODUCT	DESCRIPTION	AVAILABILITY
PVC 1613R	Body : Black/White	320m min. order
PVC 1614	Insert : Black	180m min. order
	Insert : White	100m min. order
PVC 1613/EC	End Cap : Black/White GRP	Order



PVC 1417R

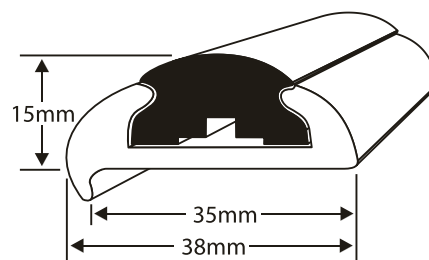
PRODUCT	DESCRIPTION	AVAILABILITY
PVC 1417R	Body : Black	3.65m Stock
	Body : White	3.65m Stock
PVC 1418	Insert : Black	5m, 15m, 22m & 30 Stock
	Insert : White	30m Stock
1417/EC	End Cap: Black/White GRP	Stock



RIGID PVC WITH PVC INSERTS

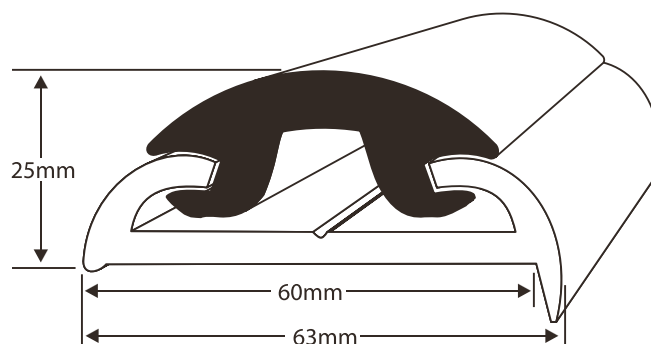
PVC 1472R

PRODUCT	DESCRIPTION	AVAILABILITY
PVC 1472R	Body : Black/White	3.65m Stock
PVC 1022	Insert : Black	5m, 15m, 19m & 30 Stock
	Insert : White	450m min. order
1417/EC	End Cap: Stainless Steel	Stock



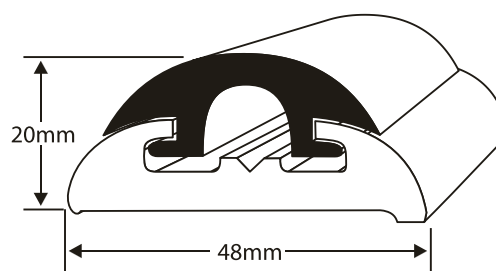
PVC 1783R

PRODUCT	DESCRIPTION	AVAILABILITY
PVC 1783R	Body : Black	219m min. order
PVC 1614	Insert : Black	30m Stock
	Insert : White	30m Stock



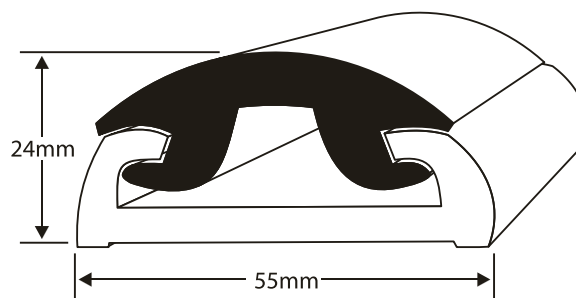
PVC 2356R

PRODUCT	DESCRIPTION	AVAILABILITY
PVC 2356R	Body : Black/White	182m min. order
PVC 1614	Insert : Black	5m, 15m, 22m & 30 Stock
	Insert : White	30m Stock
1417/EC	End Cap : Black/White	Stock



PVC 2357R

PRODUCT	DESCRIPTION	AVAILABILITY
PVC 2357R	Body : Black/White	200m min. order
PVC 1614	Insert : Black	30m Stock
	Insert : White	30m Stock
1631/EC	End Cap : Black/White GRP	Order



ALUMINIUM PROFILE WITH PVC INSERTS

Our range of aluminium profiles provide a classic boat fendering solution which is simple to install for both the amateur and professional alike.

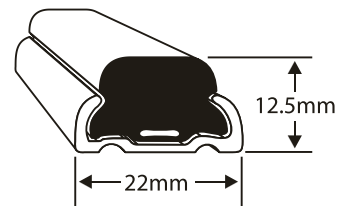
All of our aluminium boat profiles are supplied polished and anodised, unless otherwise stated.

Flexible PVC inserts neatly clip in to the aluminium to offer protection against external surfaces.



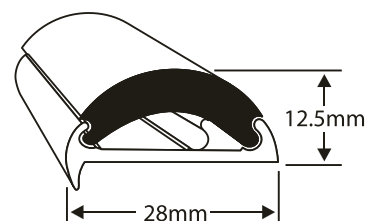
ALI 5222

PRODUCT	DESCRIPTION	AVAILABILITY
ALI 5222	Body : Anodised only	3.65m Stock
PVC 737	Insert : Black	11m, 15m, 19m & Stock



ALI 114

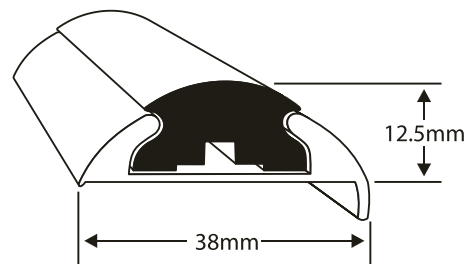
PRODUCT	DESCRIPTION	AVAILABILITY
ALI 114	Body : Anodised only	3.65m Stock
PVC 114	Insert : Black	11m, 19m & 30m Stock
	Insert : White	19m & 30m Stock
114/EC	End Cap: Stainless Steel	Stock



ALUMINIUM PROFILE WITH PVC INSERTS

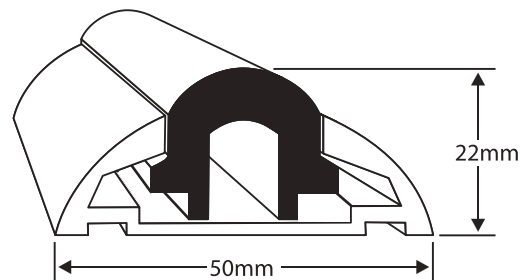
ALI 68

PRODUCT	DESCRIPTION	AVAILABILITY
ALI 68	Body : Anodised only	3.65m Stock
PVC 1022	Insert : Black	5m, 15m, 19m, 22m & 30m Stock
	Insert : White	450m min. order
68/EC	End Cap: Stainless Steel	Stock



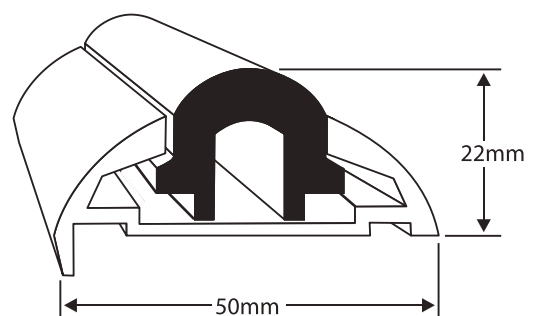
ALI 604

PRODUCT	DESCRIPTION	AVAILABILITY
ALI 604	Body : Anodised& Polished	3.65m Stock
PVC 1022	Insert : Black	5m, 15m, 19m, 22m & 30m Stock
604/605	End Cap: Stainless Steel	Stock



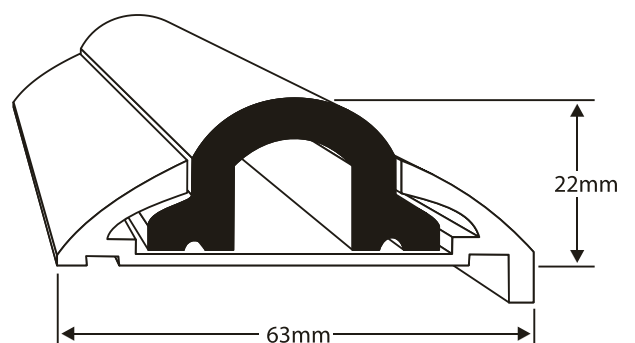
ALI 605

PRODUCT	DESCRIPTION	AVAILABILITY
ALI 605	Body : Anodised& Polished	3.65m Stock
PVC 1062	Insert : Black	5m, 15m, 19m, 22m & 30m Stock
604/605/EC	End Cap: Stainless Steel	Stock



ALI 606

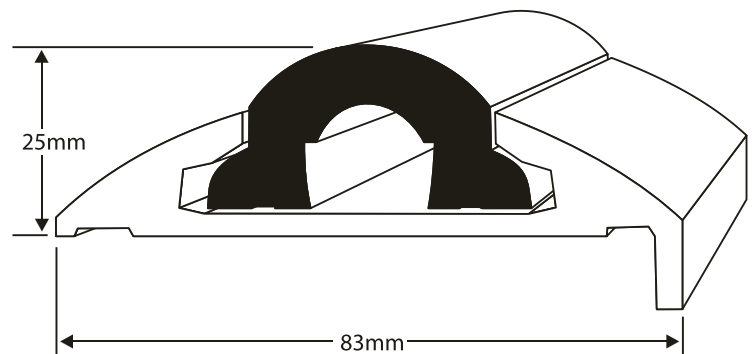
PRODUCT	DESCRIPTION	AVAILABILITY
ALI 606	Body : Anodised& Polished	3.65m Stock
PVC 1066	Insert : Black	5m, 22m, 26m & 30m Stock
604/605/EC	End Cap: Stainless Steel	Stock



ALUMINIUM PROFILE WITH PVC INSERTS

ALI 585

PRODUCT	DESCRIPTION	AVAILABILITY
PVC 585	Body : Anodised & Polished	3.65m Stock
PVC 1000	Insert : Black	100 min. order
585/EC	End Cap : Stainless Steel	Stock



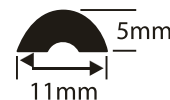
OBSOLETE ALUMINIUM PROFILE INSERTS

We hold an archive of additional obsolete insert dies, from which profiles can be extruded subject to production quantities.

Simply send a drawing or a sample of your requirements to our sales team. Contact details can be found on the back page of this brochure.

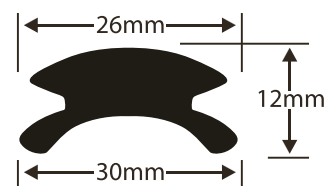
PVC 111

PRODUCT	DESCRIPTION	AVAILABILITY
PVC 111	Insert : Black	400m min. order



PVC 74

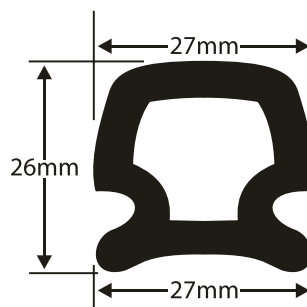
PRODUCT	DESCRIPTION	AVAILABILITY
PVC 74	Insert : Black	30m Stock



OBSOLETE ALUMINIUM PROFILE INSERTS

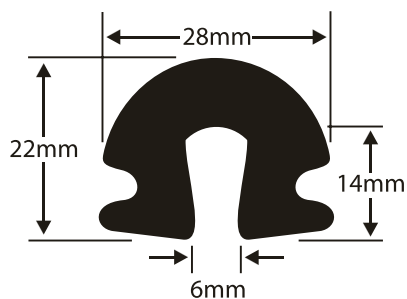
PVC 16

PRODUCT	DESCRIPTION	AVAILABILITY
PVC 16	Insert : Black	150m min. order



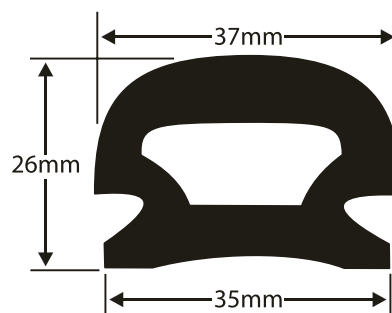
PVC 564

PRODUCT	DESCRIPTION	AVAILABILITY
PVC 564	Insert : Black	100m min. order



PVC 18

PRODUCT	DESCRIPTION	AVAILABILITY
PVC 18	Insert : Black	30m Stock

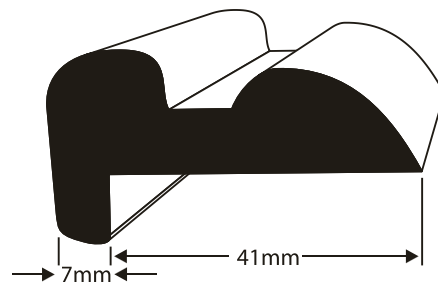


LOW FRICTION PROFILES

All low friction profiles require heating prior to fitting.

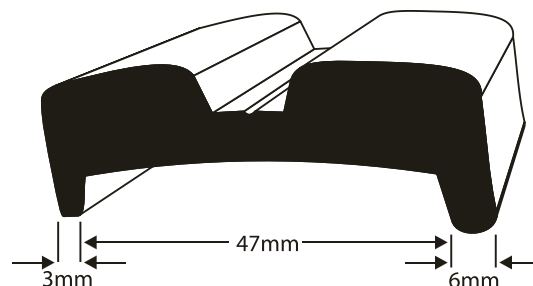
PVC 1446

PRODUCT	DESCRIPTION	AVAILABILITY
PVC 1446	Black MDPE	500m min.order
	Blue MDPE	600m min. order



PVC 1538

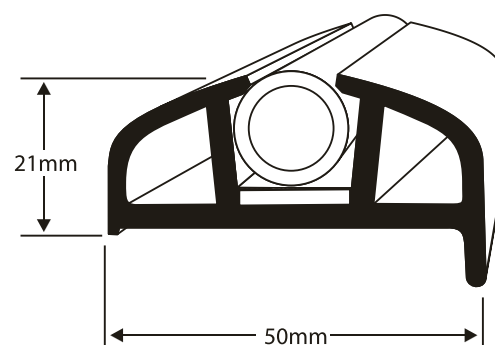
PRODUCT	DESCRIPTION	AVAILABILITY
PVC 1538	Black/ Blue MDPE	400m min. order



GENERAL PVC PROFILES

PVC 168

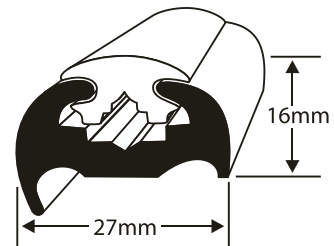
PRODUCT	DESCRIPTION	AVAILABILITY
PVC 168	Body : Black/White (20)	10m, 15m & 20m Stock
PVC 170	Insert : White	300m min. order
	Insert : Red	300m min. order
	Insert : Blue	10m, 15m & 20m Stock
	Insert : Black	300m min. order
13 x 3mm Rigid PVC Strip		Stock



GENERAL PVC PROFILES

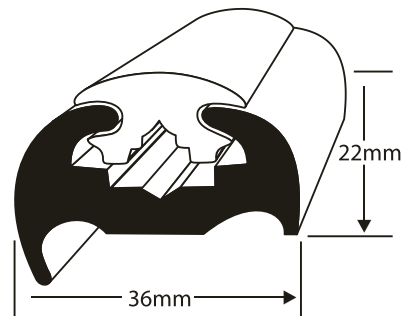
PVC 180

PRODUCT	DESCRIPTION	AVAILABILITY
PVC 180	Body : Black/White (20)	9m, 15m & 30m Stock
	Insert : Black, Red, White & Blue	600m min. order
	End Cap : Black/White GRP	Stock



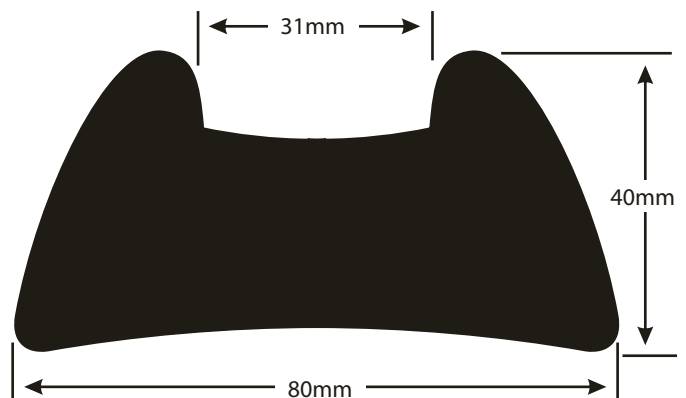
PVC 370

PRODUCT	DESCRIPTION	AVAILABILITY
PVC 370	Body : Black/White (20)	12m, 15m & 30m Stock
	Insert : Black	12m, 15m & 30m Stock
	Insert : White	12m & 15m Stock
	Insert : Blue	15m & 30m Stock
	Insert : Red	480m min. order
370/EC	End Cap : Stainless Steel	Stock



PVC 2404

PRODUCT	DESCRIPTION	AVAILABILITY
PVC 2404	Black (50)	75m min. order

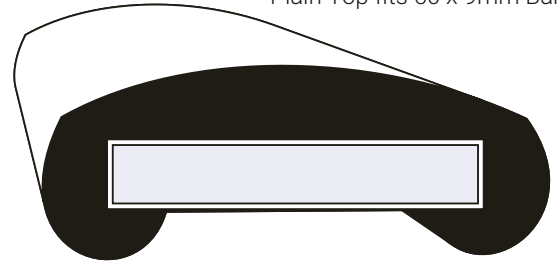


GENERAL PVC PROFILES

PVC 267

PRODUCT	DESCRIPTION	AVAILABILITY
PVC 267	Black	30m Stock

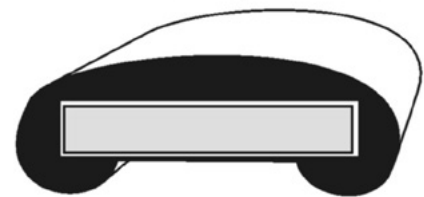
Plain Top fits 50 x 9mm Bar



PVC 1289

PRODUCT	DESCRIPTION	AVAILABILITY
PVC 1289	Various Colours	250m min. order

Plain Top fits 40 x 8mm Bar



Contact our sales team for further made to order handrails.

U PROFILES

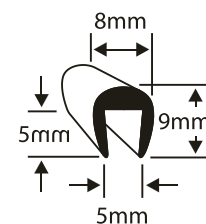
U fender is designed to fit over a flange style deck to hull join and provide protection to a high contact area.

Our range of boat U fender profiles provide an ideal solution to a number of end use requirements.

Profiles vary in style and shape to allow the location of the rivets or bolts in the flange.

PVC 869

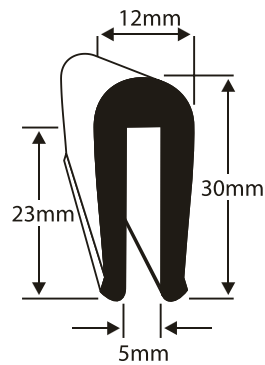
PRODUCT	DESCRIPTION	AVAILABILITY
PVC 869	Black (50)	750m min. order



U PROFILES

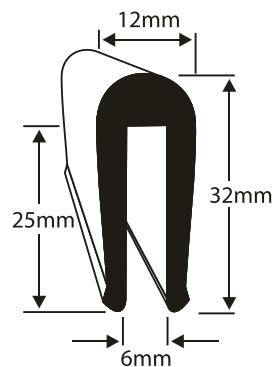
PVC 177

PRODUCT	DESCRIPTION	AVAILABILITY
PVC 177	Black (20)	600m min. order



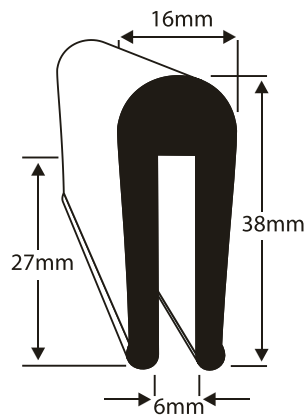
PVC 178

PRODUCT	DESCRIPTION	AVAILABILITY
PVC 178	Black (20)	450m min. order



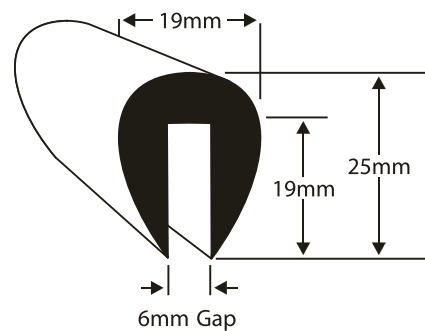
PVC 179

PRODUCT	DESCRIPTION	AVAILABILITY
PVC 179	Black (20)	150m min. order



PVC 40

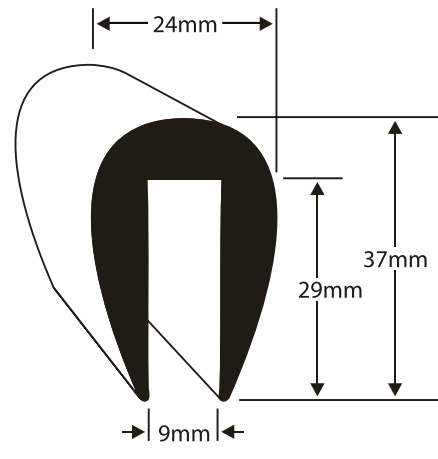
PRODUCT	DESCRIPTION	AVAILABILITY
PVC 40	Black (50)	6m, 9m, 15m & 30m Stock
	White (50)	6m, 9m, 15m & 30m Stock



U PROFILES

PVC 1/5

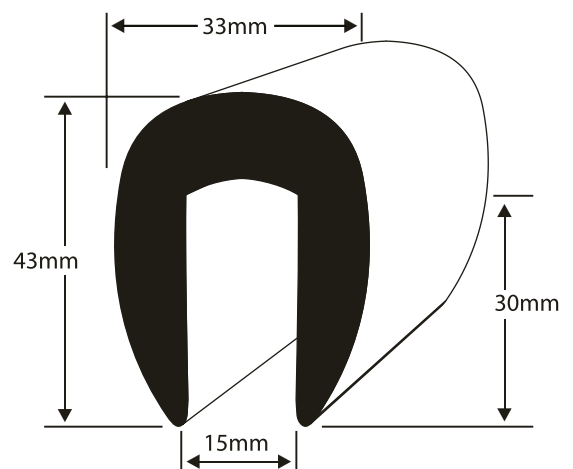
PRODUCT	DESCRIPTION	AVAILABILITY
PVC 1/5	Black	9m, 12m, 15m & 30m Stock
	White (50)	210m min. order
PVC 1/2	Black (20)	150m min. order



9m, 12m, 15m
30m stock

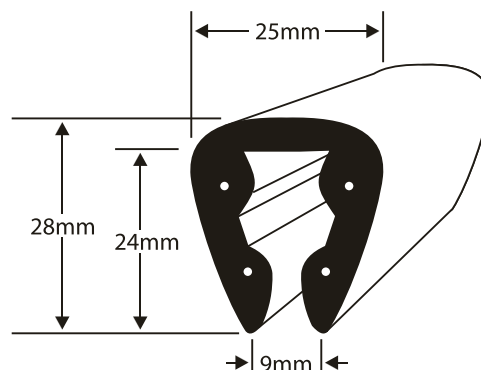
PVC 2010

PRODUCT	DESCRIPTION	AVAILABILITY
PVC 2010	Black (50)	15m & 30m Stock
	White (50)	5m & 30m Stock



PVC 4/5

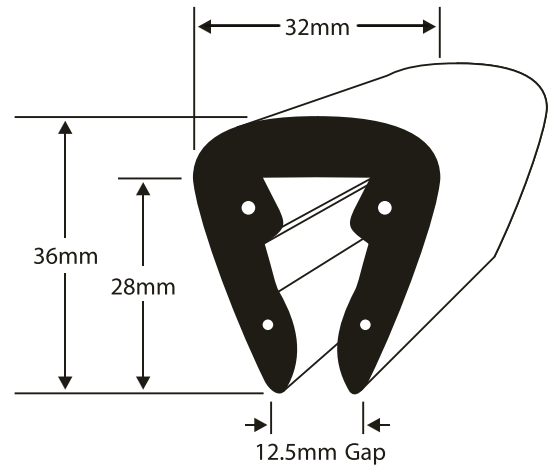
PRODUCT	DESCRIPTION	AVAILABILITY
PVC 4/5	Black (50)	12m, 15m & 30m Stock
PVC 4/2	Black (20)	12m & 30m Stock
4/EC	End Cap : Stainless Steel	Stock



U PROFILES

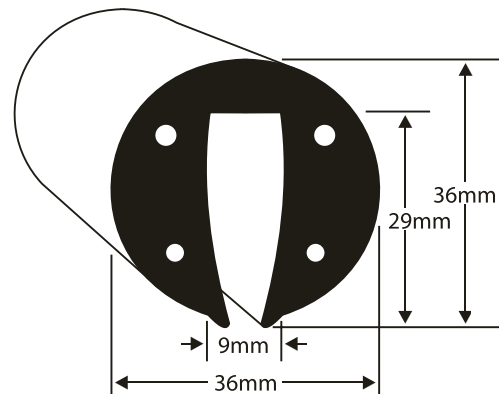
PVC 6/2

PRODUCT	DESCRIPTION	AVAILABILITY
PVC 6/2	Black (20)	15m, 20m & 30m
6/EC	End Cap : Stainless Steel	Stock



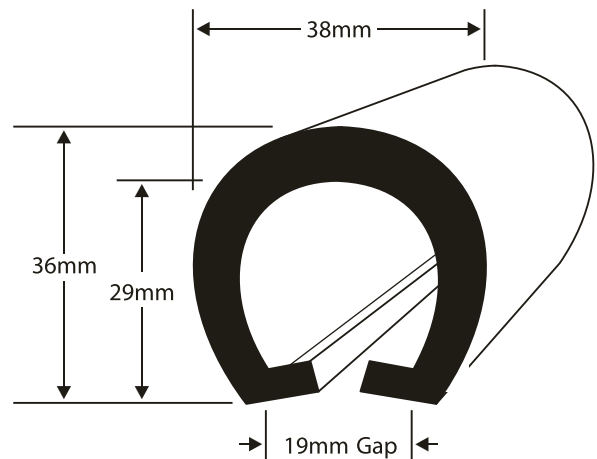
PVC 9

PRODUCT	DESCRIPTION	AVAILABILITY
PVC 9	Black (20)	120m min. order



PVC 204

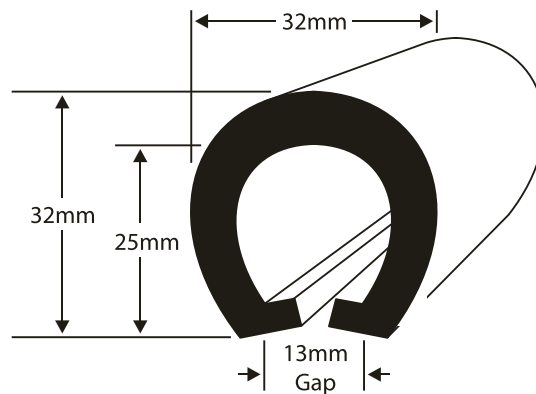
PRODUCT	DESCRIPTION	AVAILABILITY
PVC 204	Black (20)	10m, 15m, 30m Stock



U PROFILES

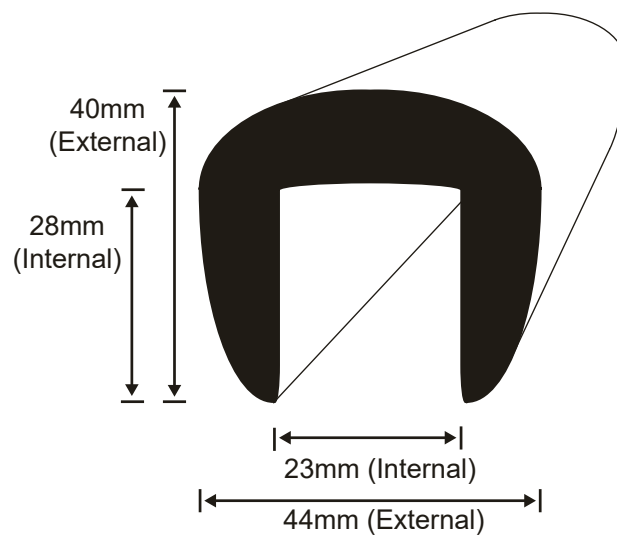
PVC 205

PRODUCT	DESCRIPTION	AVAILABILITY
PVC 205	Black (20)	11m, 15m, 32m Stock



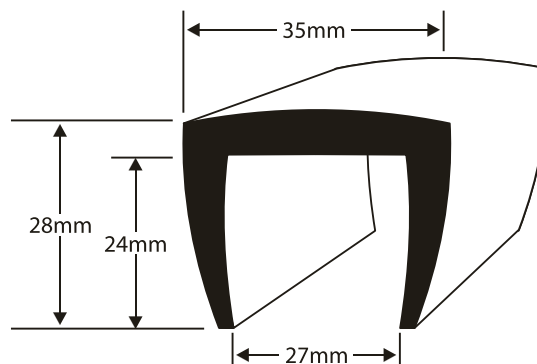
PVC 2489

PRODUCT	DESCRIPTION	AVAILABILITY
PVC 2489	Black/White (50)	150m min. order



PVC 263

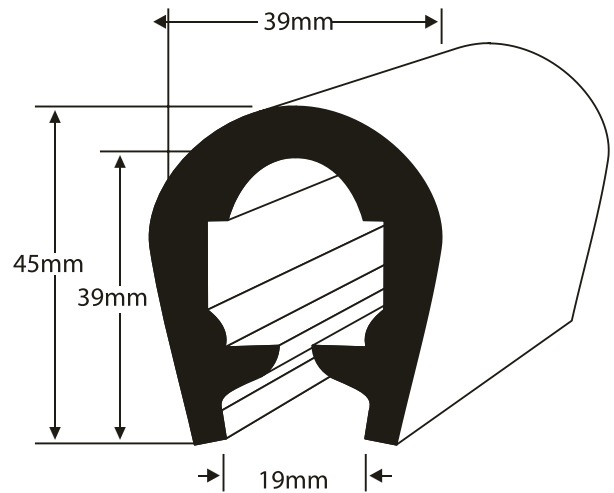
PRODUCT	DESCRIPTION	AVAILABILITY
PVC 263	Black (20)	250m min. order



U PROFILES

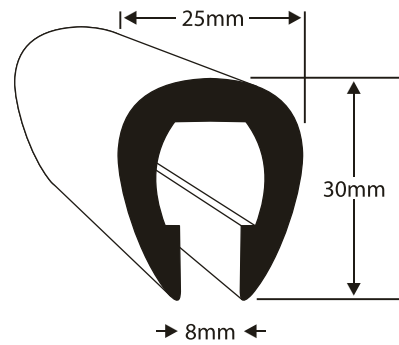
PVC 7

PRODUCT	DESCRIPTION	AVAILABILITY
PVC 7	Black (20)	75m min. order



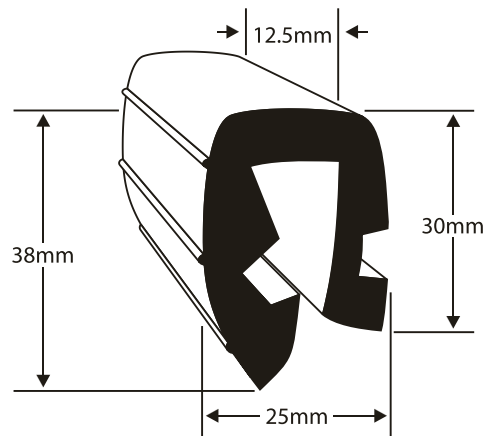
PVC 557

PRODUCT	DESCRIPTION	AVAILABILITY
PVC 557	Black (20)	250m min. order



PVC 286

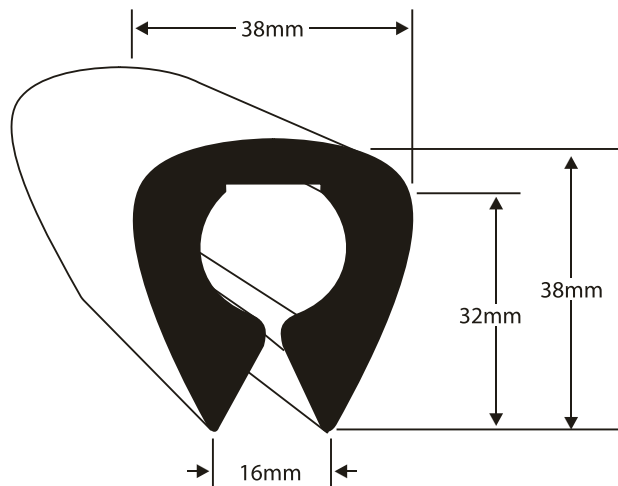
PRODUCT	DESCRIPTION	AVAILABILITY
PVC 286	Black (20)	15m Stock



U PROFILES

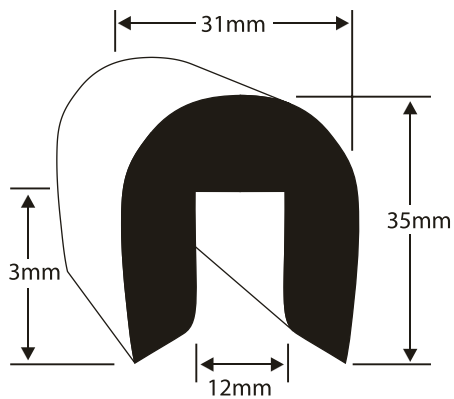
PVC 34

PRODUCT	DESCRIPTION	AVAILABILITY
PVC 34	Black (50)	150m min. order



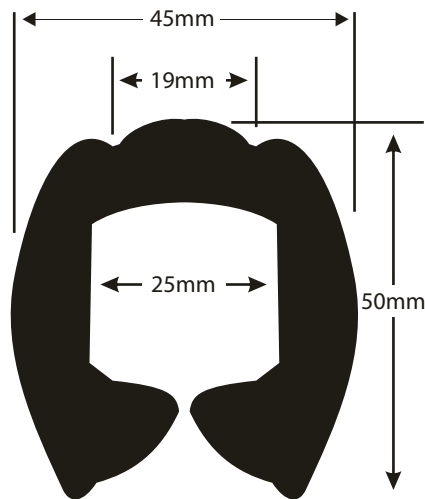
PVC 2196

PRODUCT	DESCRIPTION	AVAILABILITY
PVC 2169	Black (50)	100m min. order



PVC 2106

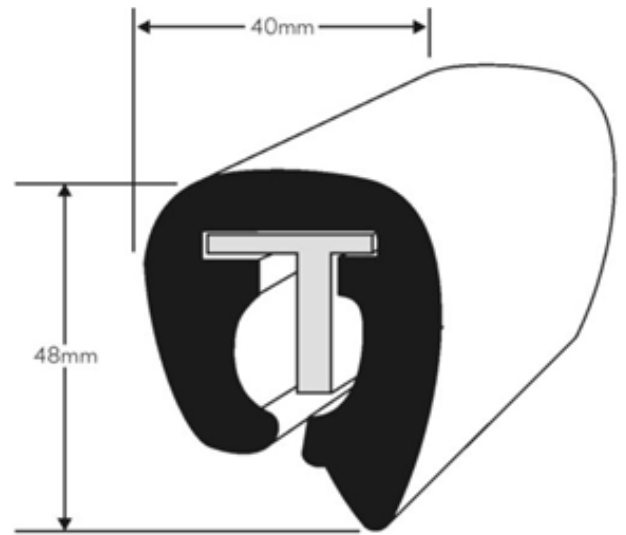
PRODUCT	DESCRIPTION	AVAILABILITY
PVC 2106	Black/White (20)	250m min. order
	19mm Stainless Steel	MOQ



U PROFILES

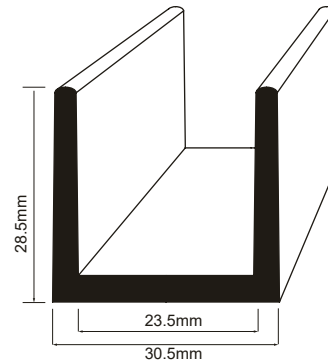
PVC 1495

PRODUCT	DESCRIPTION	AVAILABILITY
PVC 1495	White	100m min. order



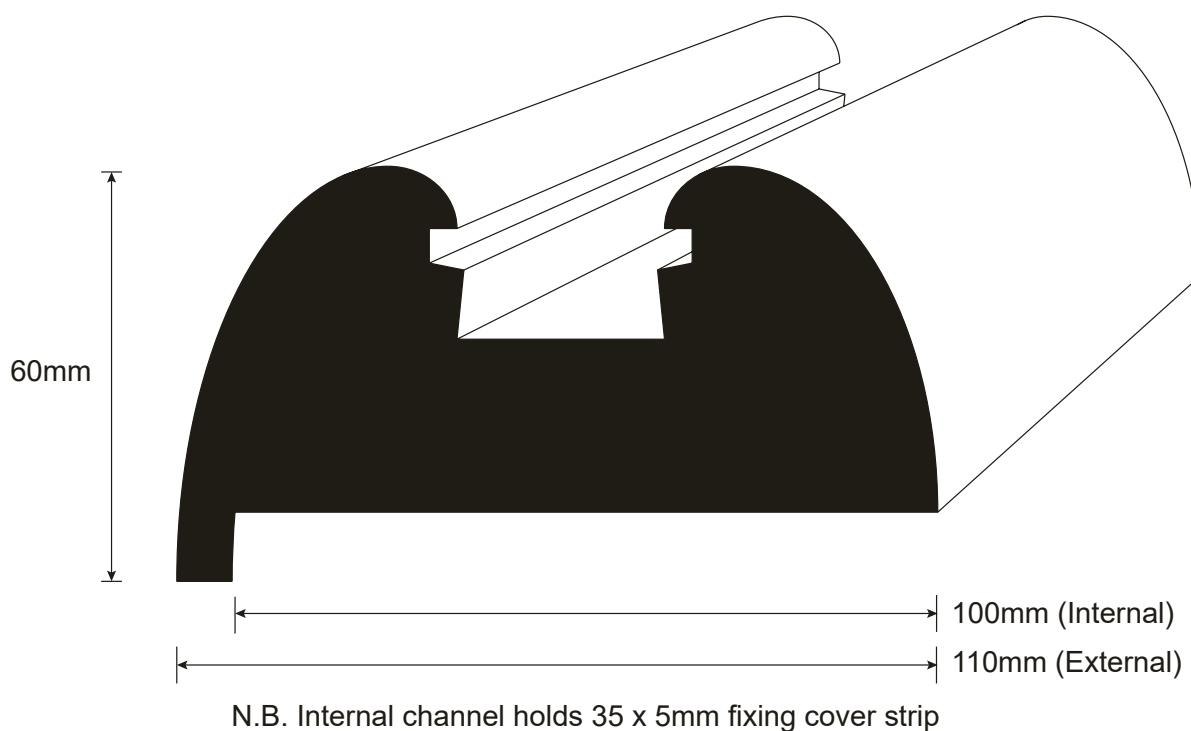
PVC 2684

PRODUCT	DESCRIPTION	AVAILABILITY
PVC 2684	Various Colours	500m min. order



B PROFILES

The B fender design delivers a high level of protection making them well suited to the marine environment.



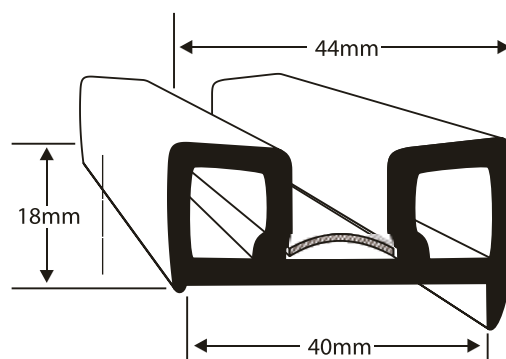
PVC 2578

PRODUCT	DESCRIPTION	AVAILABILITY
PVC 2578	Body : Black (50)	100m min. order
PVC 2588	Insert : White	360m min. order

N.B Internal channel holds 35 x 5mm fixing strip (PVC 2588) the lower void allows for bolts and penny washers.

PVC 3/15

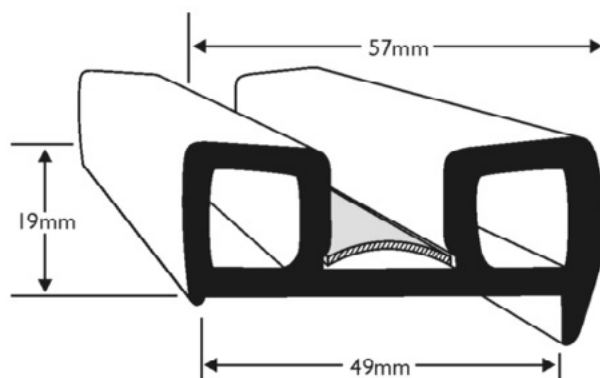
PRODUCT	DESCRIPTION	AVAILABILITY
PVC 3/15	Body : Black (15)	250m min. order
	Insert : White	650m min. order
13 x 3m Rigid PVC Strip		3m Stock



B PROFILES

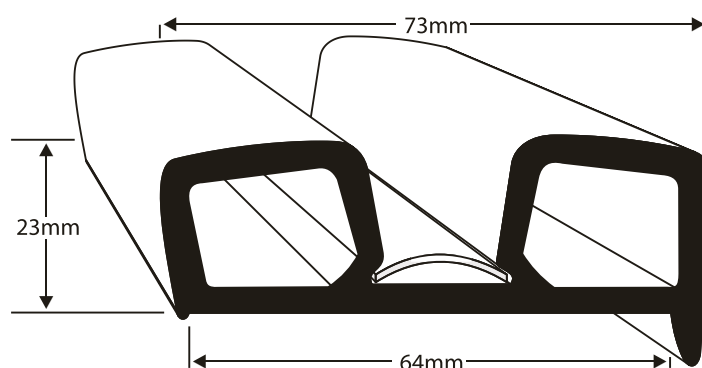
PVC 201

PRODUCT	DESCRIPTION	AVAILABILITY
PVC 201	Body : Black (15)	120m min. order
	Insert : White/ Black	250m min. order
15 x 5m Rigid PVC Strip		3m Stock



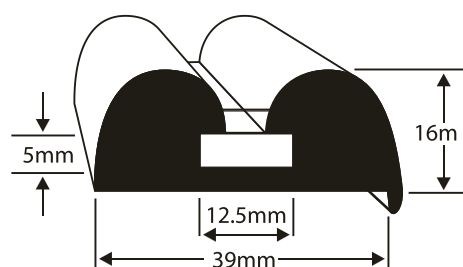
PVC 202

PRODUCT	DESCRIPTION	AVAILABILITY
PVC 202	Body : Black (15)	60m min. order
	Insert : White/ Black	250m min. order
15 x 5m Rigid PVC Strip		3m Stock



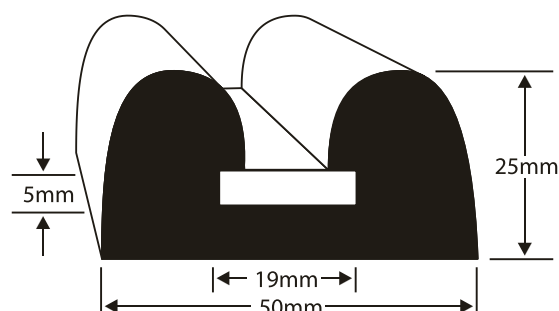
PVC 624

PRODUCT	DESCRIPTION	AVAILABILITY
PVC 624	Body : Black (50)	15m & 30m Stock
15 x 5m Rigid PVC Strip		3m stock



PVC 954

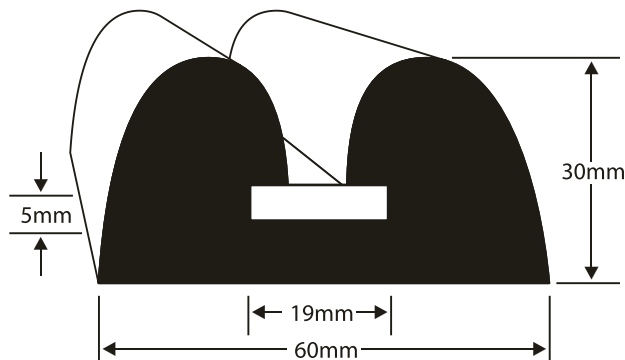
PRODUCT	DESCRIPTION	AVAILABILITY
PVC 954	Black/ White (50)	150m min. order
19 x 3m Rigid PVC (White)		3m Stock
19mm Stainless Steel		Order



B PROFILES

PVC 883

PRODUCT	DESCRIPTION	AVAILABILITY
PVC 883	Black (50)	10m & 15m Stock
	19 x 3m Rigid PVC	3m Stock
	19mm Stainless Steel	Order



D FENDER

D fender profiles are a versatile fender option for both vessel and pontoon protection. Designed to meet a variety of both retail and trade needs.

To complete installation, fixing strips and PVC cord plugging is available.



BUMP!



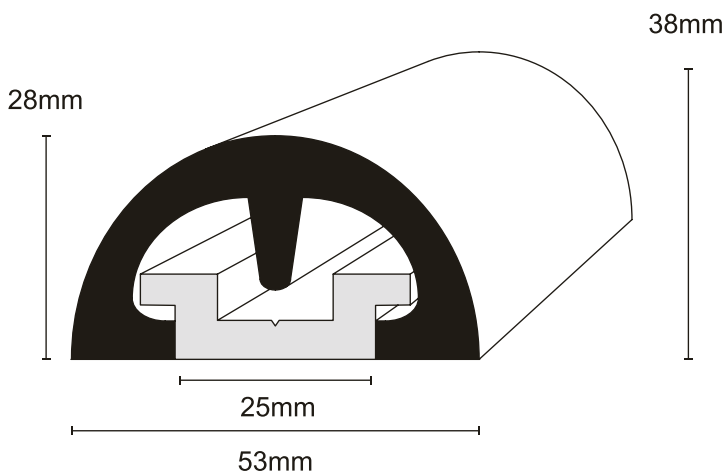
A great looking fendering that is quick and easy to fit with no front fastenings.

BUMP! has been developed to provide quick, simple installation without compromising impact resistance.

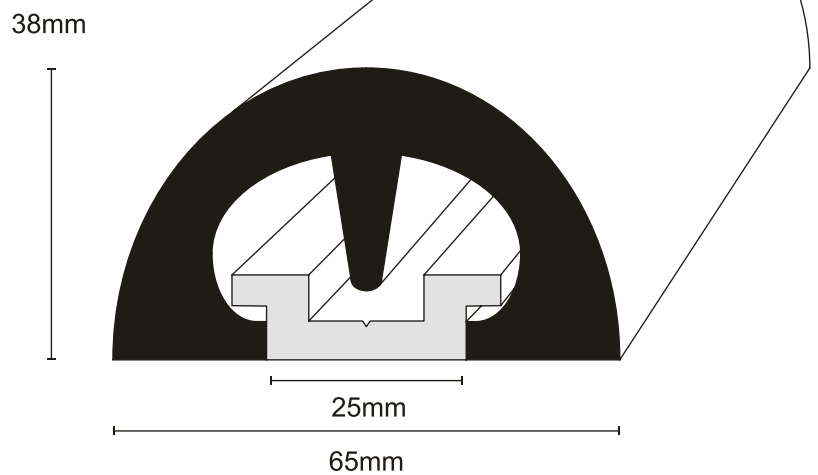
Not only is it easier to fit than traditional D Fender, BUMP! also handles curves and an 80mm radius without the need to mitre either track or body.

BUMP! is available from stock in either a 53mm or 65mm body with a single track size to accommodate either profile..

BUMP! 53



BUMP! 65

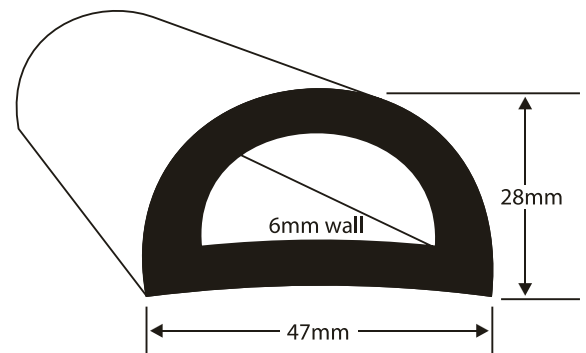


PRODUCT	WIDTH	HIGHT	COLOUR	AVAILABILITY
BUMP! 53	53mm	28mm	Black/ White/ Traditional	10m, 20m & 30m Stock
BUMP! 65	65mm	38mm	Black/ White	15m & 25m Stock
BUMP! Track			White	3m Stock
BUMP! End Caps			Stainless Steel	Stock

D PROFILES

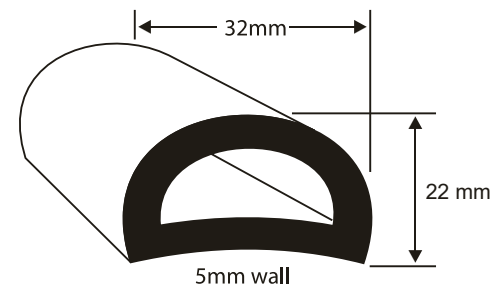
PVC 49

PRODUCT	DESCRIPTION	AVAILABILITY
PVC 49	Black/ White (50)	5m, 10m, 15m, 20m & 30m Stock
	31 x 3m Rigid PVC Strip	3m Stock
	8mm PVC Cord Plugging Black/ White	3m Stock
PVC 49/EC	End Cap : Stainless Steel/ White	Stock



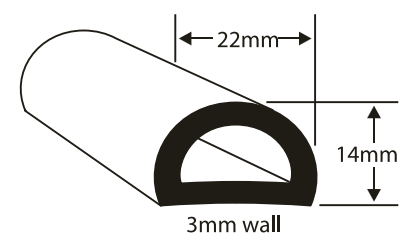
PVC 50

PRODUCT	DESCRIPTION	AVAILABILITY
PVC 50	Black/ White (50)	9m, 12m, 15m & 30m Stock
	19 x 3mm Rigid PVC Strip	3m Stock
	8mm PVC Cord Plugging	3m Stock



PVC 51

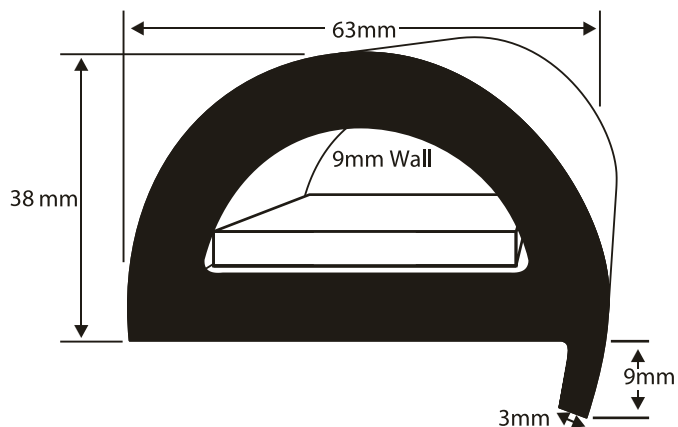
PRODUCT	DESCRIPTION	AVAILABILITY
PVC 51	Black (50)	500m min. order
	White (50)	500m min. order
	13 x 3mm Rigid PVC Strip	3m Stock
	8mm PVC Cord Plugging	3m Stock



D PROFILES

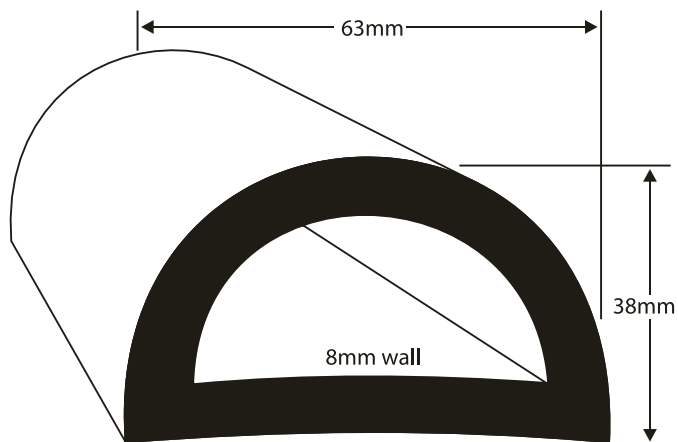
PVC 276

PRODUCT	DESCRIPTION	AVAILABILITY
PVC 276	Black	9m & 15m Stock
	31 x 3m Rigid PVC Strip	3m Stock
	19mm PVC Cord Plugging	3m Stock
BUMP! 60mm EC	End Cap : Stainless Steel	Stock



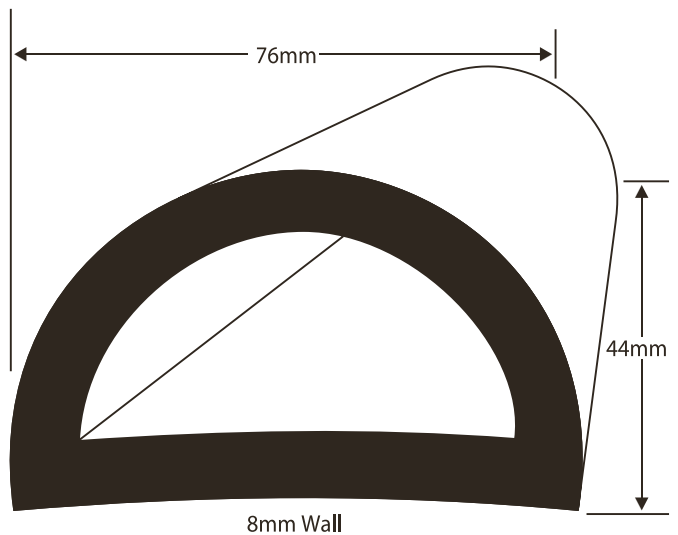
PVC 632

PRODUCT	DESCRIPTION	AVAILABILITY
PVC 632	Black (50)	3m & 6m Stock
	White (50)	100m min. order
	38 x 6mm Rigid PVC Strip	4m Stock
	19mm PVC Cord Plugging	3m Stock



PVC 636

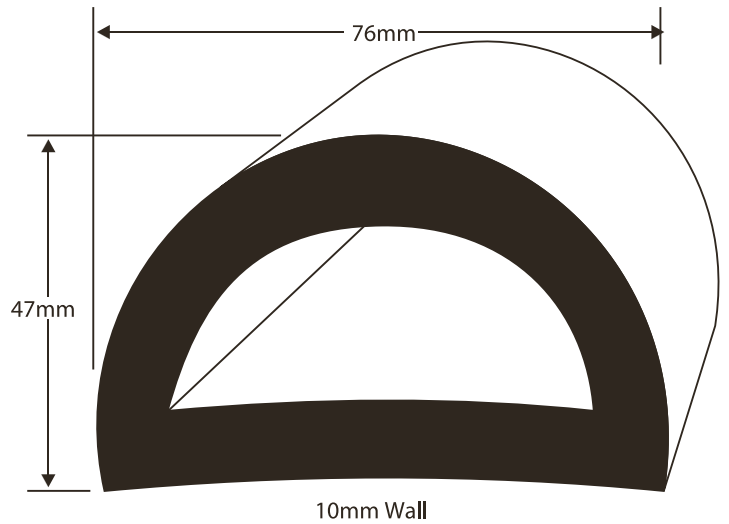
PRODUCT	DESCRIPTION	AVAILABILITY
PVC 636	Black/ White (50)	150m min. order
	50 x 8mm Rigid PVC Strip	4m Stock
	19mm PVC Cord Plugging	3m Stock
PVC 636/ 898/ 72/ EC	End Cap : Stainless Steel	Stock



D PROFILES

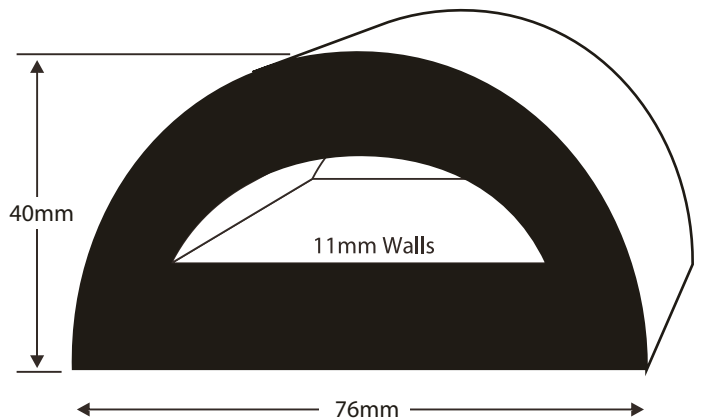
PVC 898

PRODUCT	DESCRIPTION	AVAILABILITY
PVC 898	Black/ White (50)	3m & 6m Stock
	50 x 8m Rigid PVC Strip	4m Stock
	19mm PVC Cord Plugging	3m Stock
PVC 636/ 898/ 72/ EC	End Cap : Stainless Steel	Stock



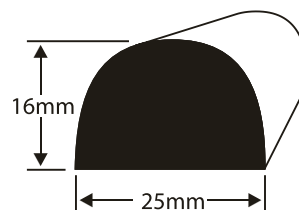
PVC 72

PRODUCT	DESCRIPTION	AVAILABILITY
PVC 72	Black	3m & 9m Stock
	White (50)	150m min. order
	31 x 3m Rigid PVC Strip	3m Stock
	19mm PVC Cord Plugging	3m Stock
PVC 636/ 898/ 72/ EC	End Cap : Stainless Steel	Stock



PVC 64

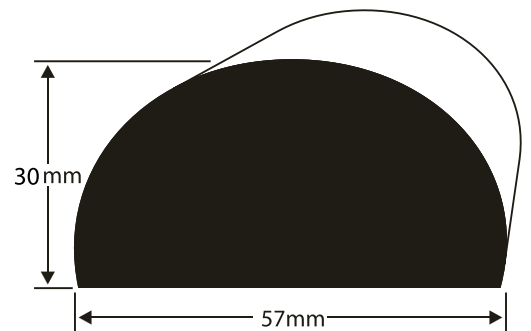
PRODUCT	DESCRIPTION	AVAILABILITY
PVC 64	Black	125m min. order
	8m PVC Cord Plugging	3m Stock



D PROFILES

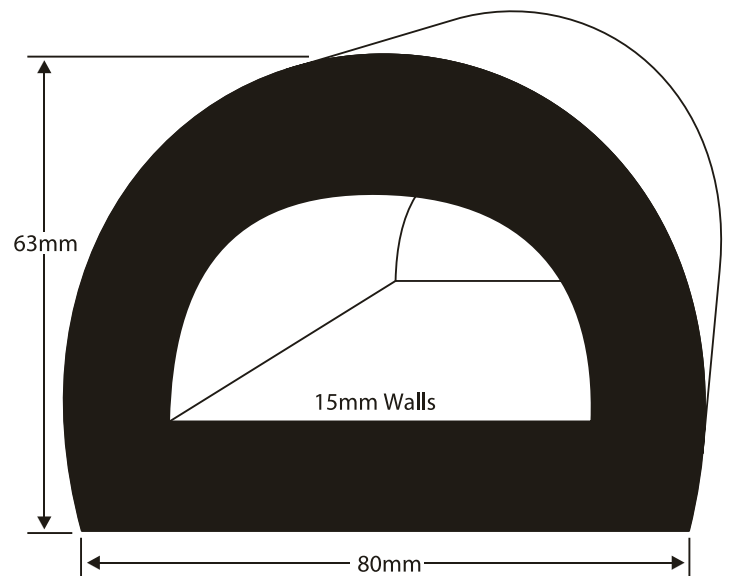
PVC 060

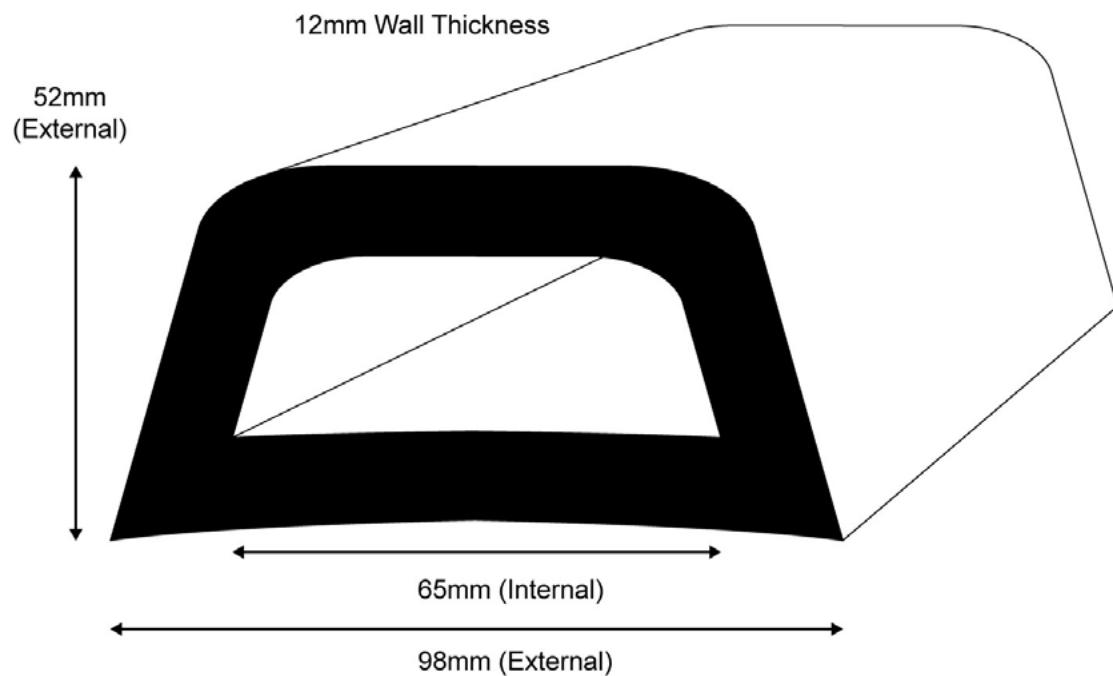
PRODUCT	DESCRIPTION	AVAILABILITY
PVC 060	Black	60m min. order
	13m PVC Cord Plugging	3m Stock



PVC 63

PRODUCT	DESCRIPTION	AVAILABILITY
PVC 63	Black	3m & 9m Stock
	White (PVC)(50)	100m min. order
	38 x 6mm Rigid PVC Strip	4m Stock
	19mm PVC Cord Plugging	3m Stock

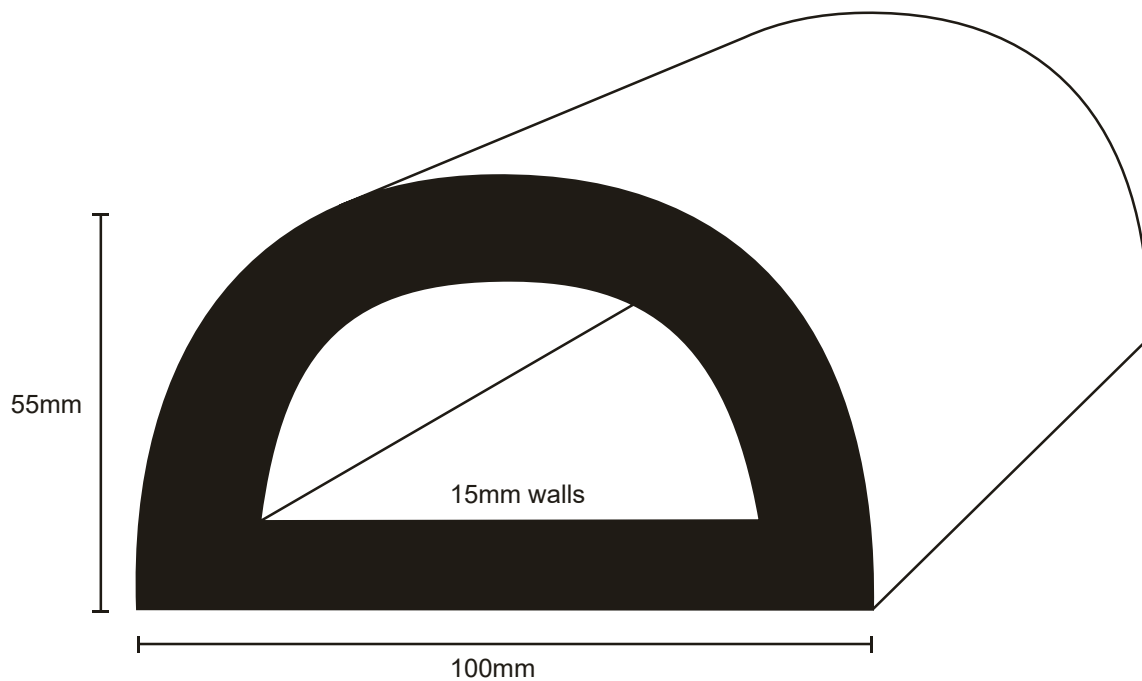




PVC 2405

PRODUCT	DESCRIPTION	AVAILABILITY
PVC 2405	Black	108m min. order
	50 x 8mm Rigid PVC Strip	4m Stock
	13m PVC Cord Plugging	3m Stock

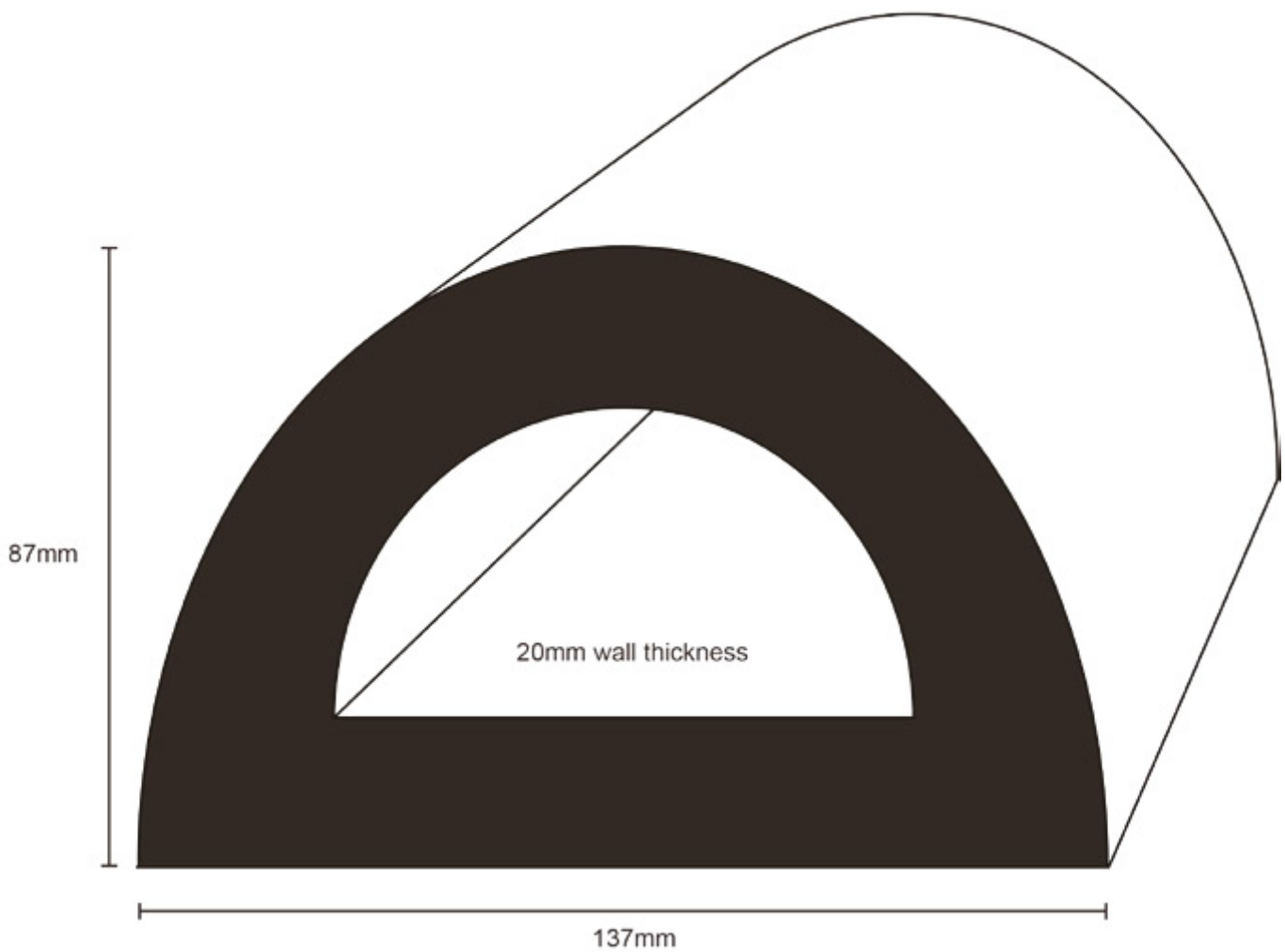
D PROFILES



PVC 2379

PRODUCT	DESCRIPTION	AVAILABILITY
PVC 2379	Black (50)	3m & 5m Stock
	50 x 8mm Rigid PVC Strip	4m Stock
	25mm PVC Cord Plugging	3m Stock

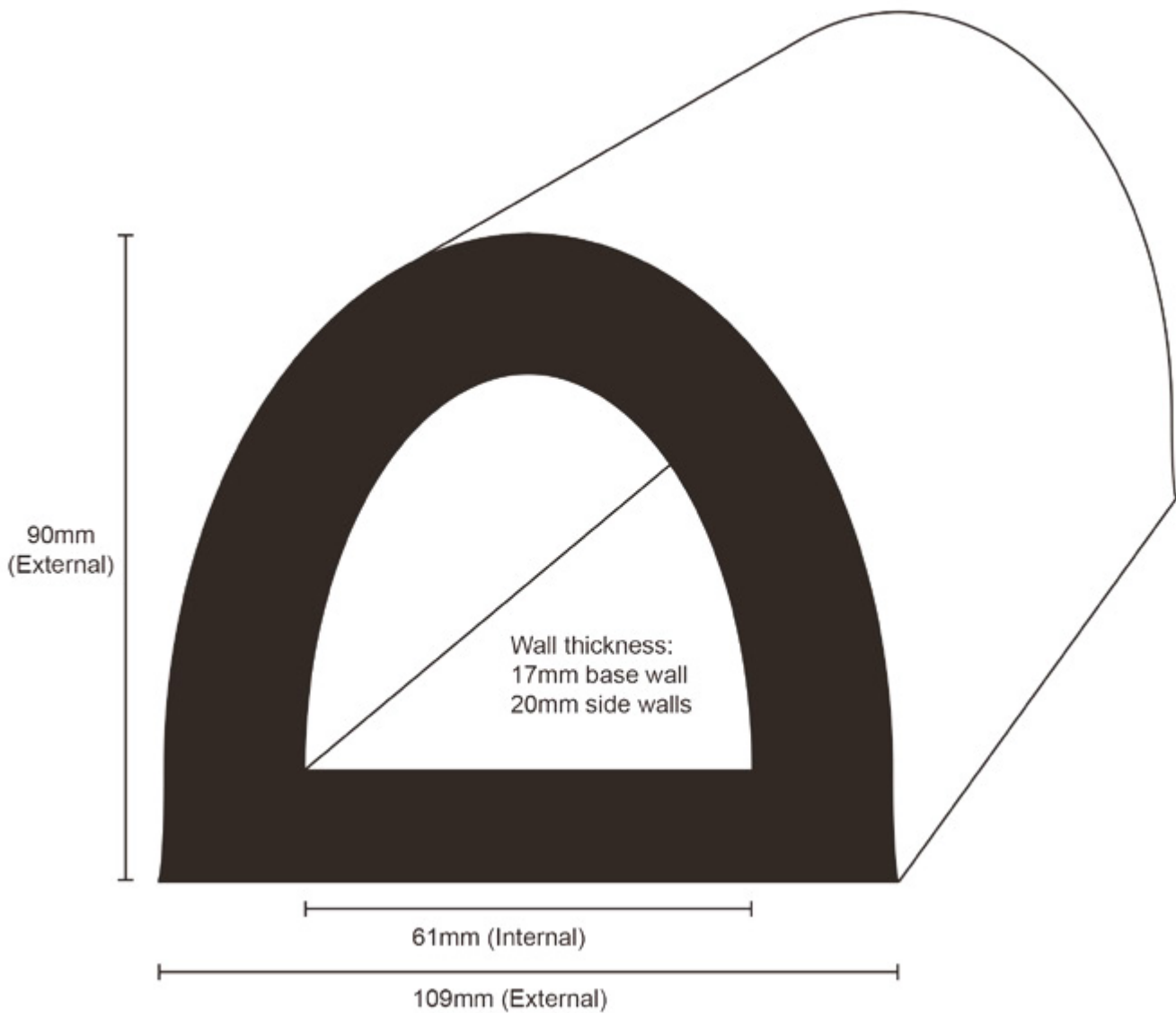
D PROFILES



PVC 2448

PRODUCT	DESCRIPTION	AVAILABILITY
PVC 2448	White/ Black (50)	100m min. order
	50 x 8mm Rigid PVC Strip	4m Stock
	25mm PVC Cord Plugging	3m Stock

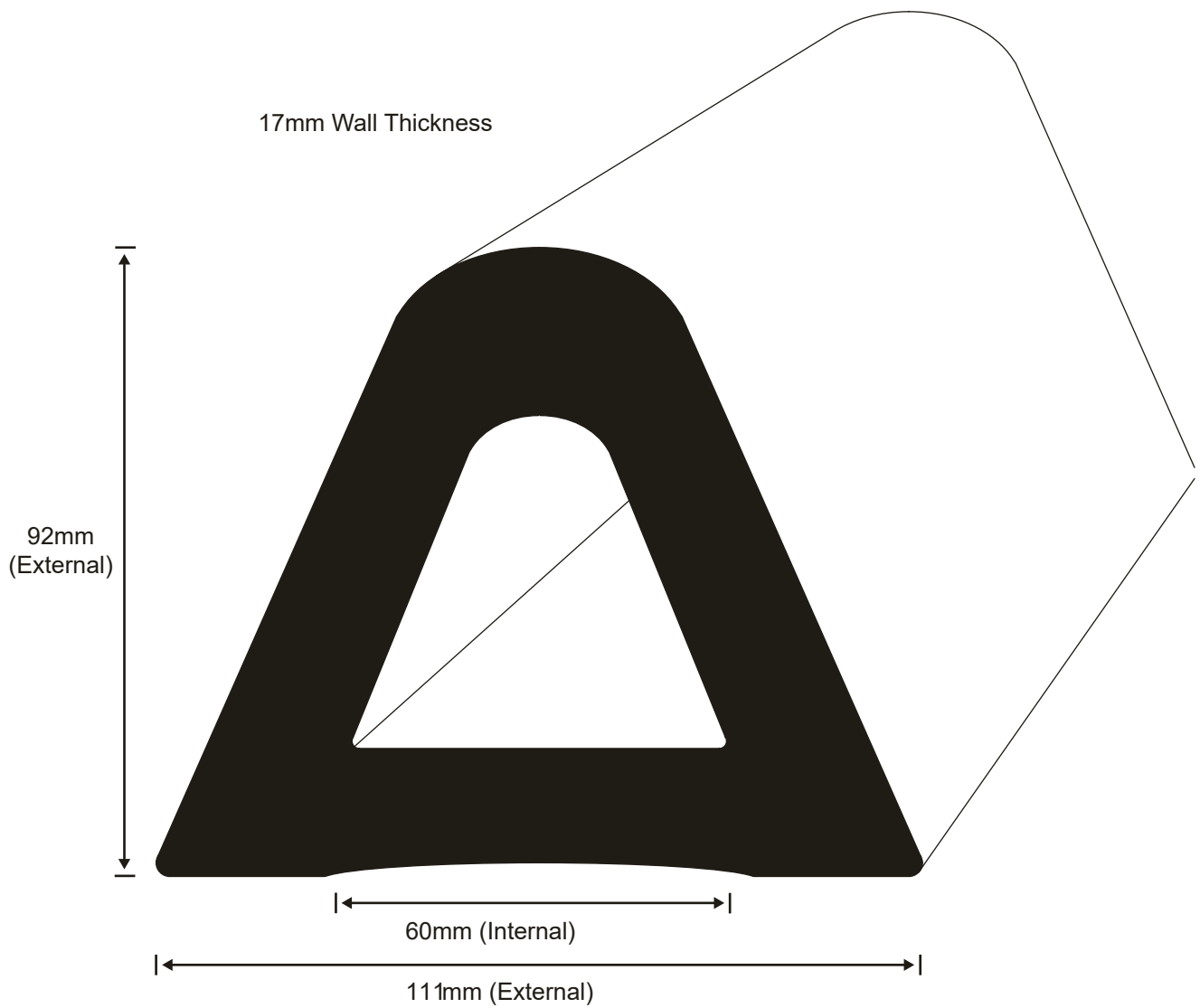
D PROFILES



PVC 2449

PRODUCT	DESCRIPTION	AVAILABILITY
PVC 2449	Black (50)	125m min. order
	50 x 8mm Rigid PVC Strip	4m Stock
	25mm PVC Cord Plugging	3m Stock

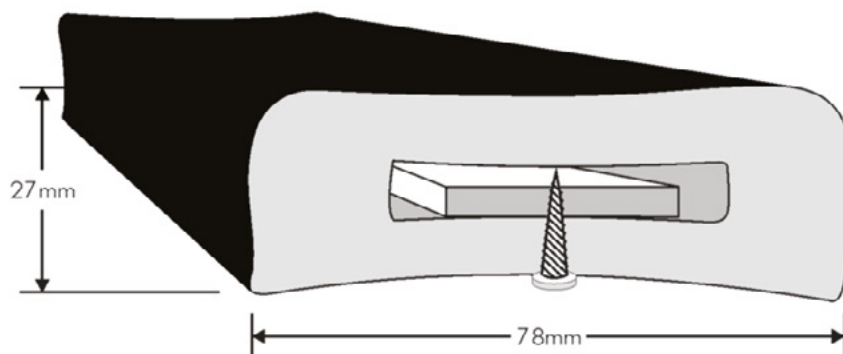
D PROFILES



PVC 2546

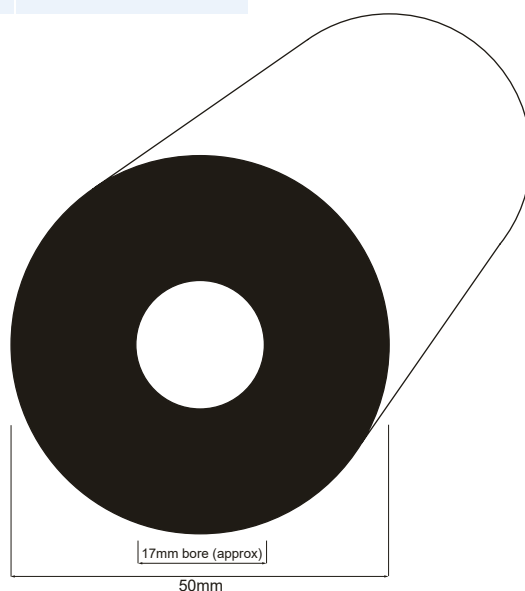
PRODUCT	DESCRIPTION	AVAILABILITY
PVC 2546	Black (50)	150m min. order
	50 x 8mm Rigid PVC Strip	4m Stock
	25mm PVC Cord Plugging	3m Stock

OTHER PROFILES



PVC 1160/F

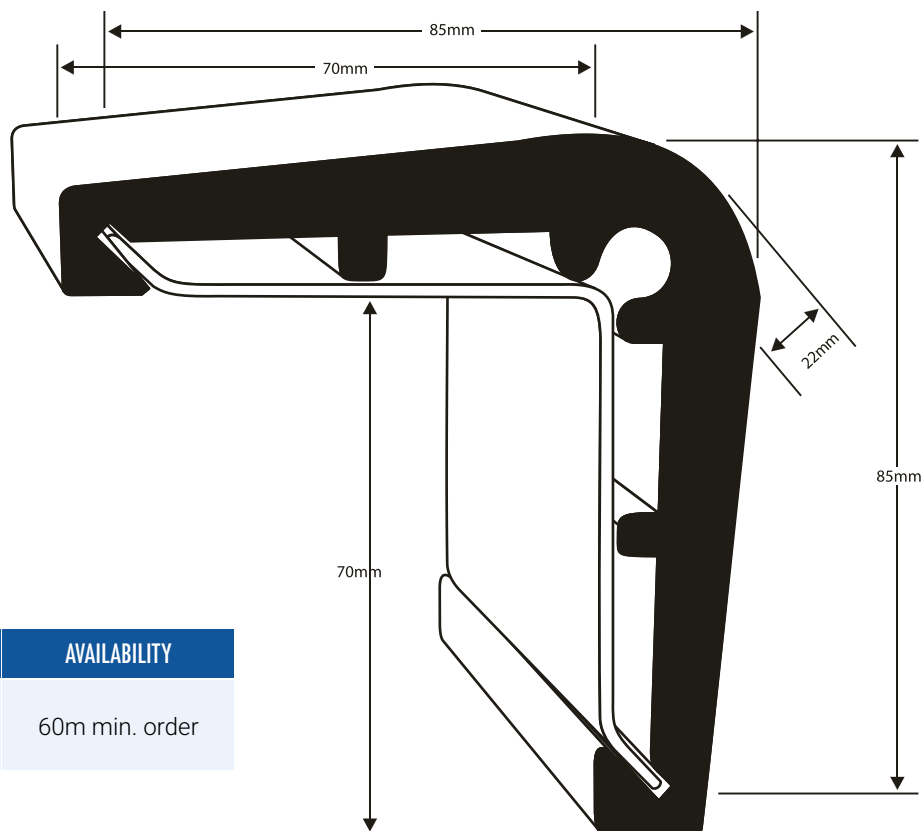
PRODUCT	DESCRIPTION	AVAILABILITY
PVC 1160/F	Flexible PVC Black Body	100m min. order
	31 x 3mm Rigid PVC Strip	3m Stock



PVC 1024

PRODUCT	DESCRIPTION	AVAILABILITY
PVC 1024	Black (50)	75m min. order

OTHER PROFILES

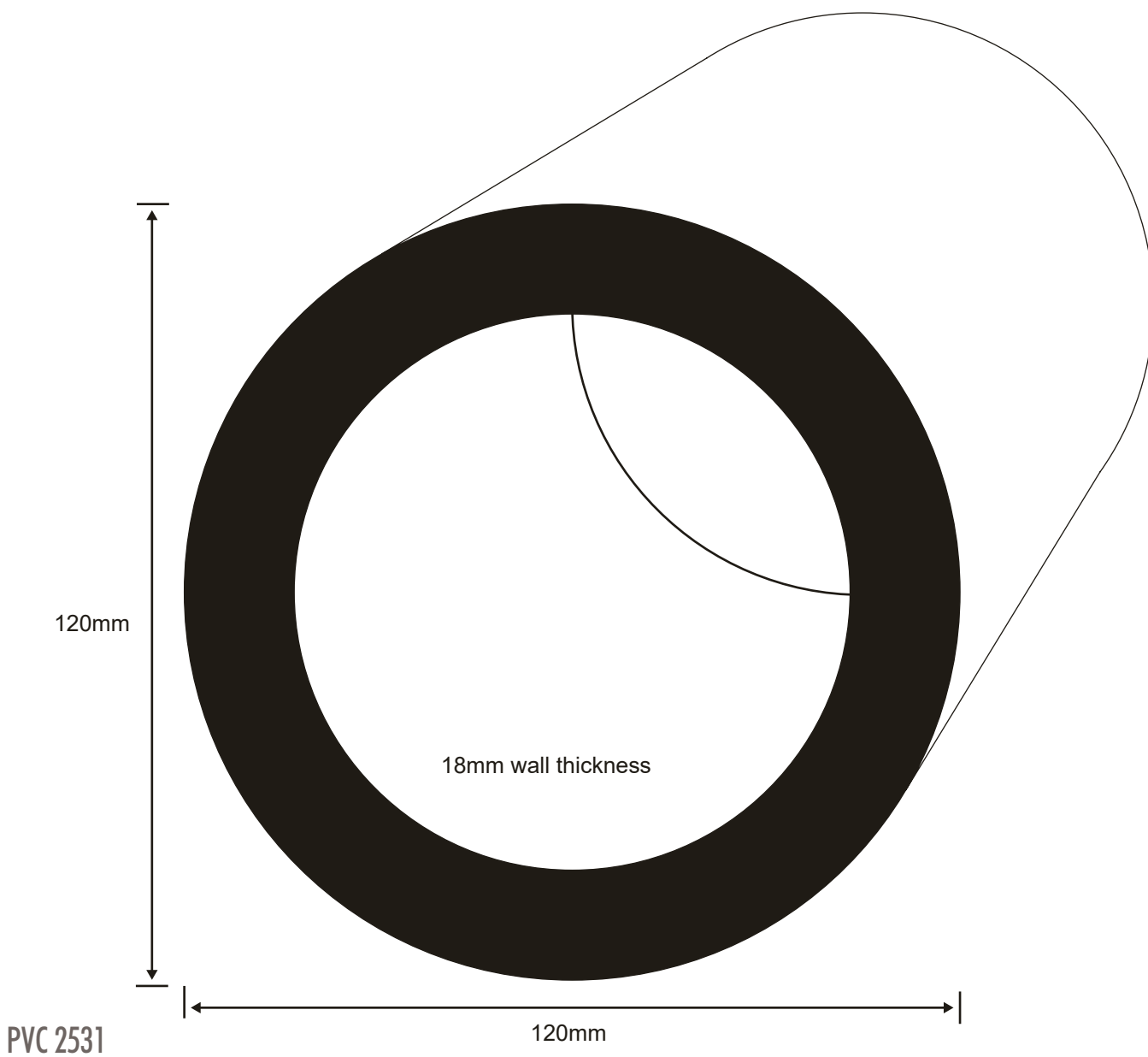


PVC 2091

PRODUCT	DESCRIPTION	AVAILABILITY
PVC 2091	Black (50) Corner Guard	60m min. order



OTHER PROFILES



PRODUCT	DESCRIPTION	AVAILABILITY
PVC 2531	Black (50)	100m min. order

Please note : Due to production methods and product weight some flattening may occur on larger coil sizes.

OTHER PROFILES



PVC 1543

PRODUCT	DESCRIPTION	AVAILABILITY
PVC 1543	Black	150m min. order
	White (50)	4m Stock
Base 177mm, Height 25mm (nominal)		

PVC 1893

PRODUCT	DESCRIPTION	AVAILABILITY
PVC 1893	Black	120m min. order
	White (50)	4m Stock
Base 135mm, height 40mm (nominal)		

TRADITIONAL FENDERS

The ultimate alternative to wooden rubbing strakes and toe rails. Once sanded with a 40 grit sandpaper the finished appearance produces an attractive woodgrain finish.

Available from your nearest Flexiteek distributor.



Factory finish

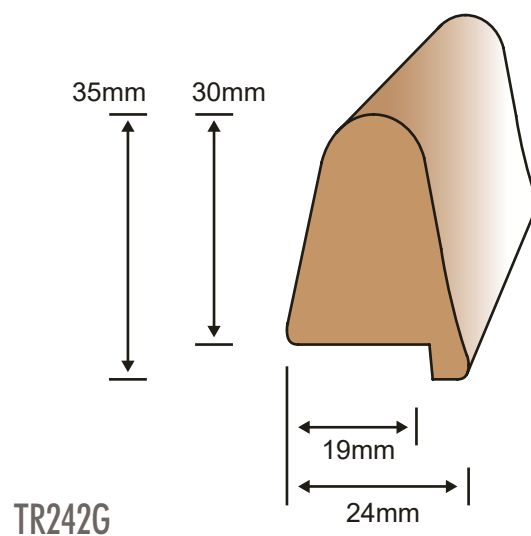
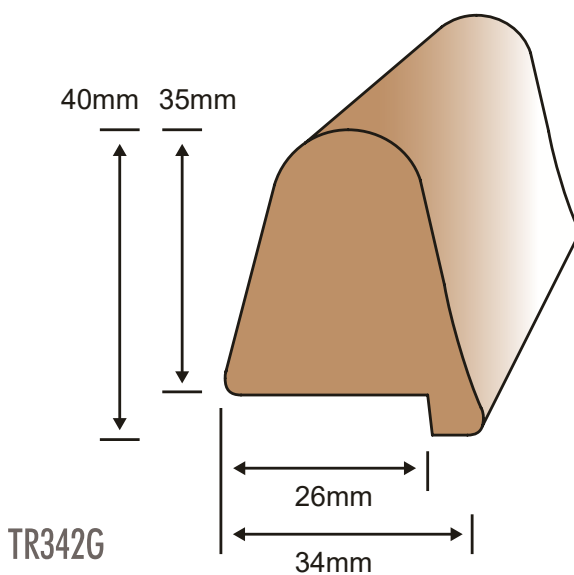


Sanded finish

FLEXITEEK TRIMS

Traditional looking toe rails and handrails that provide a classic look. These profiles provide a traditional finish but in a modern, low maintenance material.

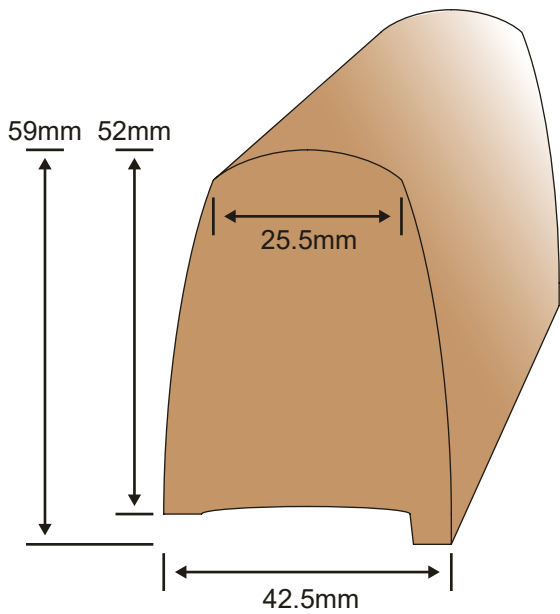
Stainless steel capping is also available.



PRODUCT	AVAILABILITY
Flexiteek Trim	Only Available from Flexiteek Distributors

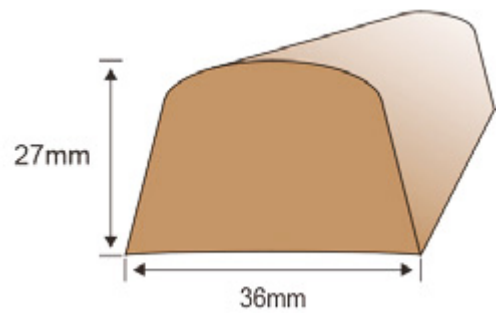
PRODUCT	AVAILABILITY
Flexiteek Trim	Only Available from Flexiteek Distributors

FLEXITEEK TRIMS



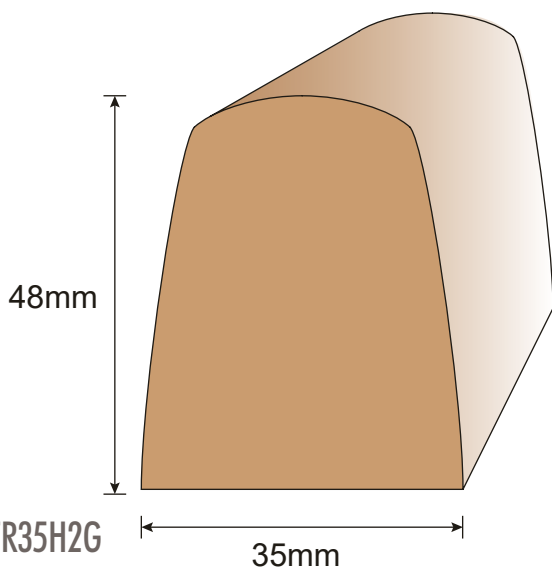
TR402G

PRODUCT	AVALIBILITY
Flexiteek Trim	Only Available from Flexiteek Distributors



TR36L2G

PRODUCT	AVALIBILITY
Flexiteek Trim	Only Available from Flexiteek Distributors



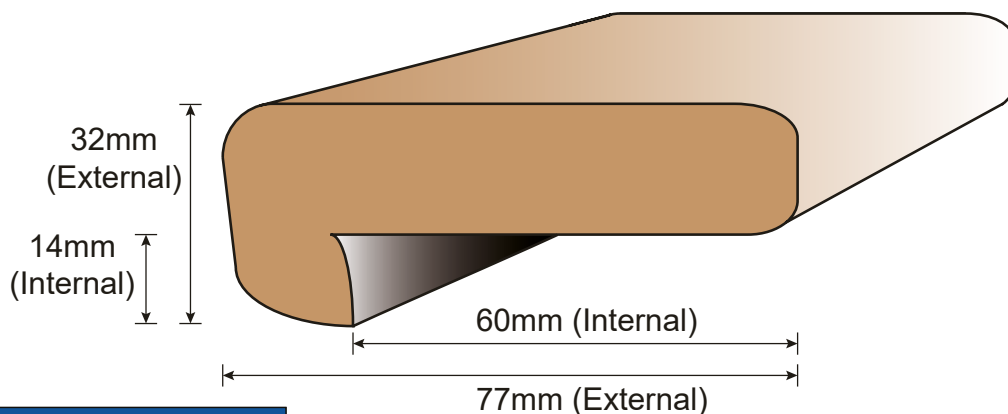
TR35H2G

PRODUCT	AVALIBILITY
Flexiteek Trim	Only Available from Flexiteek Distributors

FLEXITEEK TRIMS

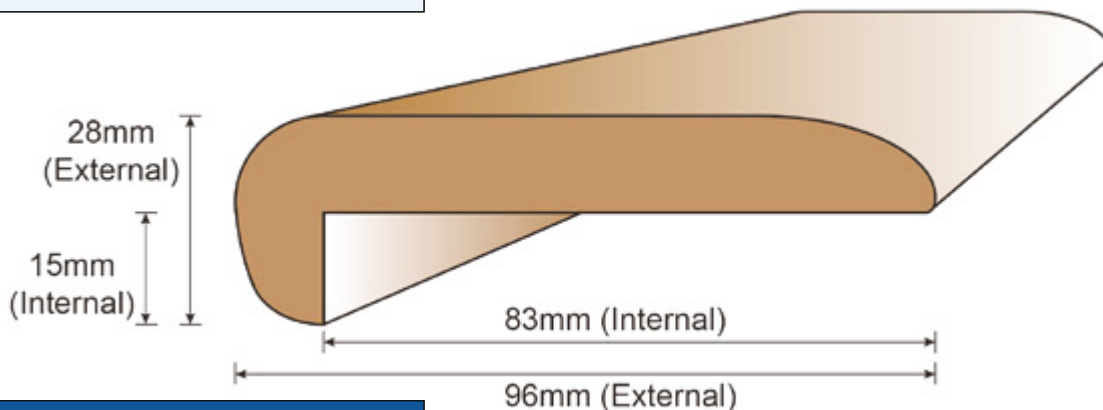
TOP CAPPING

CAP772G



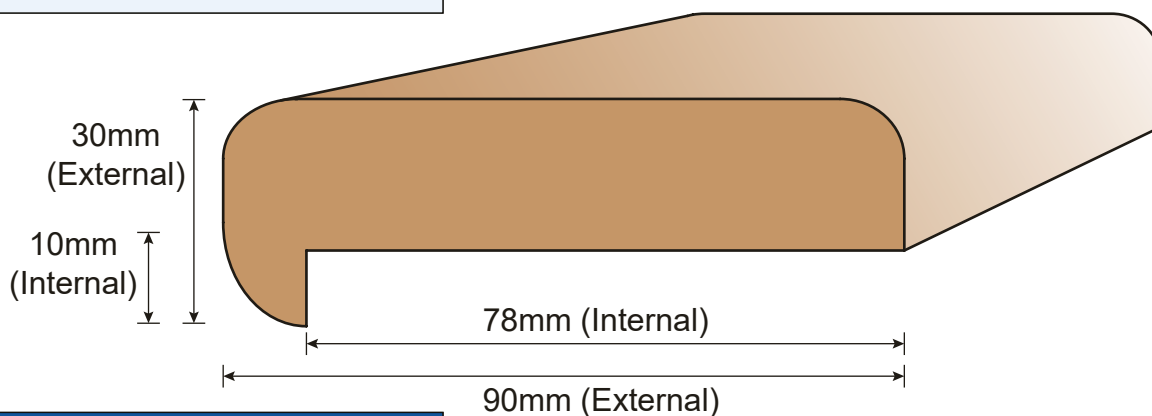
PRODUCT	AVAILABILITY
Flexiteek Trim	Only Available from Flexiteek Distributors

CAP962G



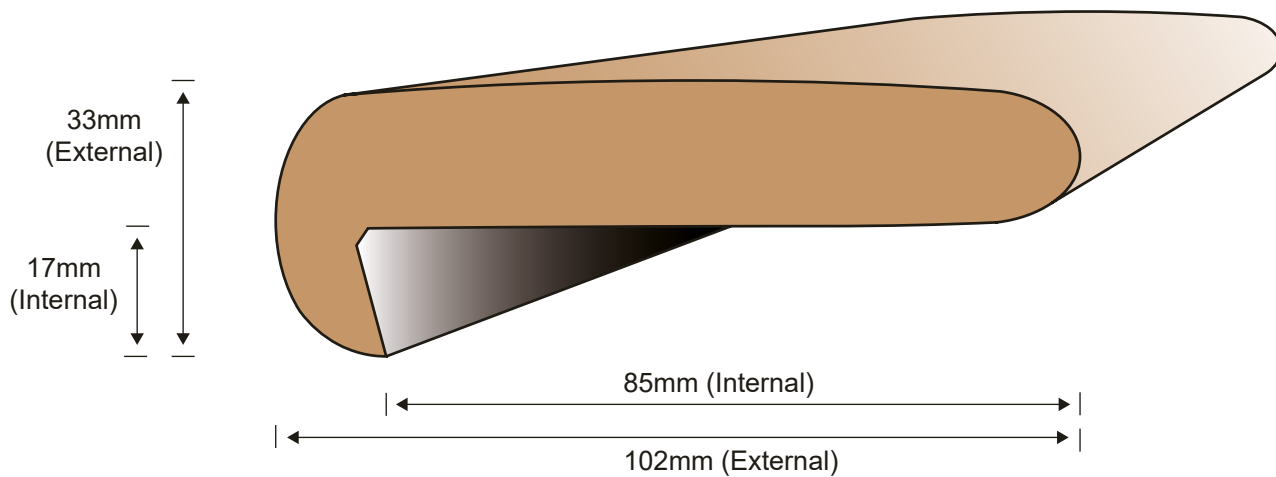
PRODUCT	AVAILABILITY
Flexiteek Trim	Only Available from Flexiteek Distributors

CAP902G



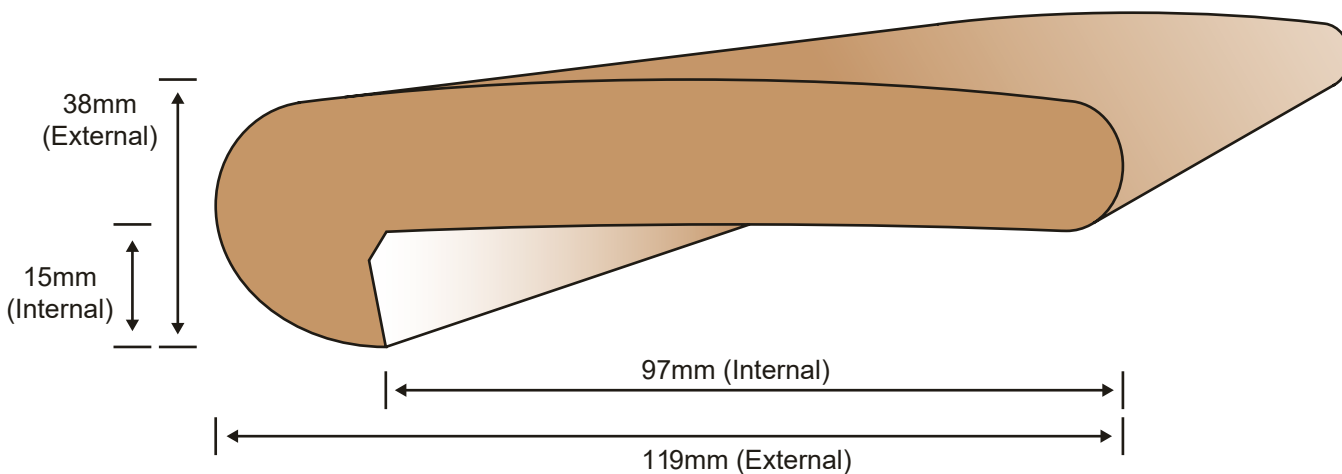
PRODUCT	AVAILABILITY
Flexiteek Trim	Only Available from Flexiteek Distributors

FLEXITEEK TRIMS



CAP1022G

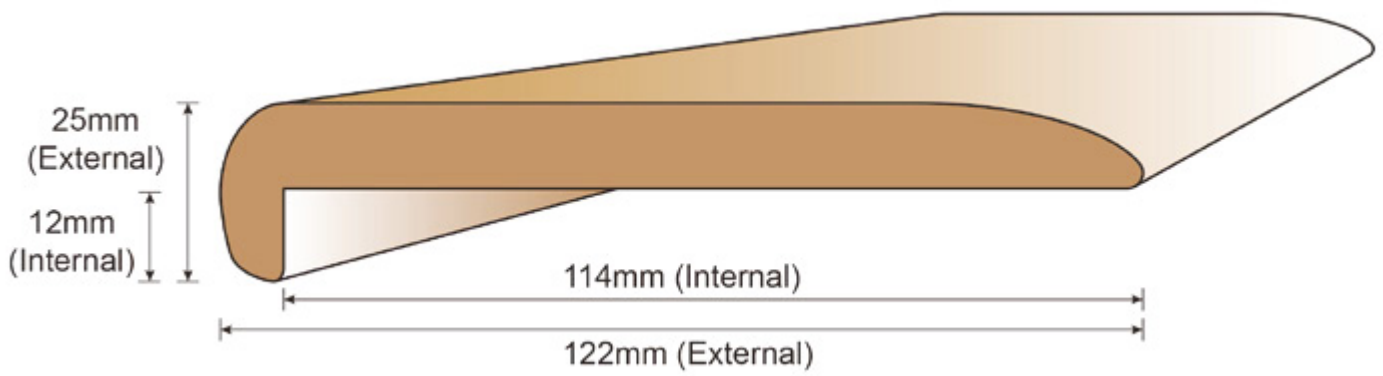
PRODUCT	AVAILABILITY
Flexiteek Trim	Only Available from Flexiteek Distributors



CAP1192G

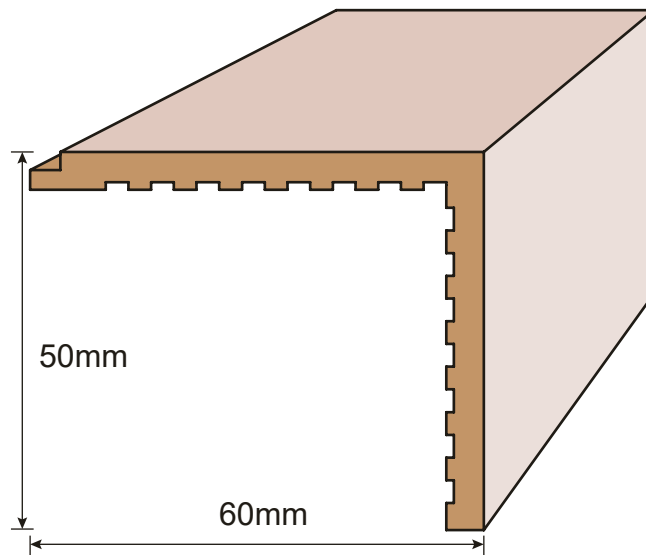
PRODUCT	AVAILABILITY
Flexiteek Trim	Only Available from Flexiteek Distributors

FLEXITEEK TRIMS



CAP1222G

PRODUCT	AVAILABILITY
Flexiteek Trim	Only Available from Flexiteek Distributors



AS2G

PRODUCT	AVAILABILITY
Flexiteek Trim	Only Available from Flexiteek Distributors

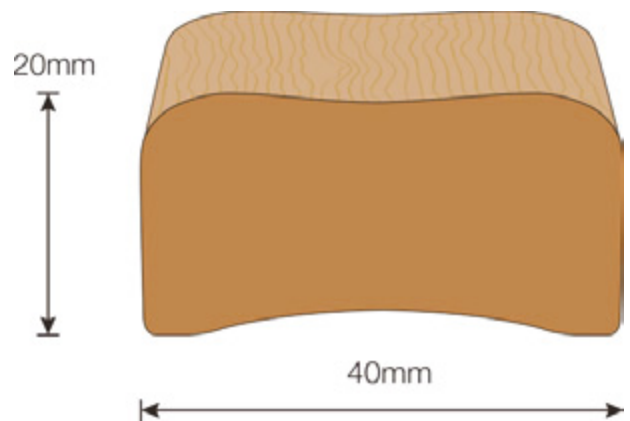
FLEXITEEK TRIMS

BLOCK PROFILES

These profiles are easy to work with and can be modified using traditional wood working tools.

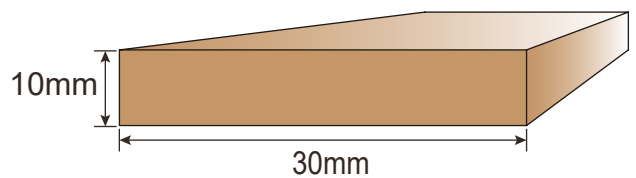
NS2G

PRODUCT	AVAILABILITY
Flexiteek Trim	Only Available from Flexiteek Distributors



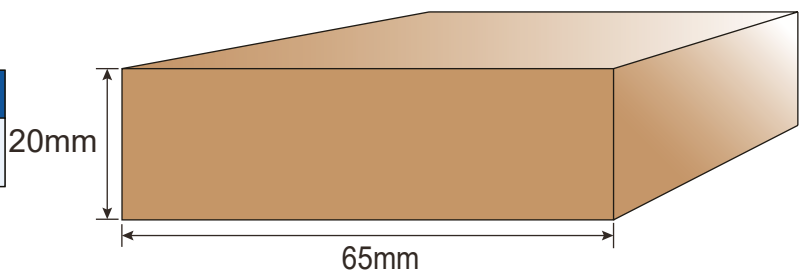
RR530

PRODUCT	AVAILABILITY
Flexiteek Trim	Only Available from Flexiteek Distributors



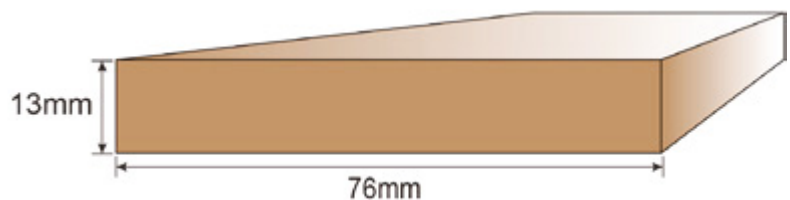
RR652G

PRODUCT	AVAILABILITY
Flexiteek Trim	Only Available from Flexiteek Distributors

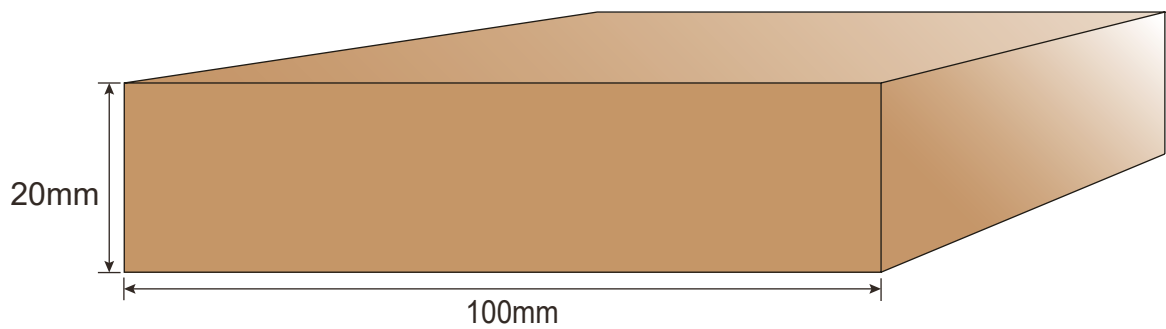


RR762G

PRODUCT	AVAILABILITY
Flexiteek Trim	Only Available from Flexiteek Distributors

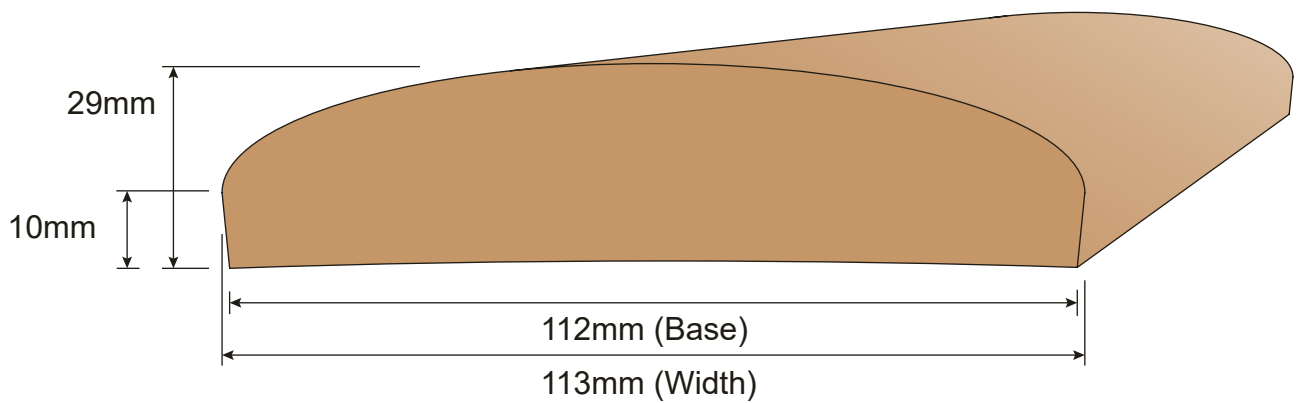


FLEXITEEK TRIMS



RR1002G

PRODUCT	AVALIBILITY
Flexiteek Trim	Only Available from Flexiteek Distributors



CAP113

PRODUCT	AVALIBILITY
Flexiteek Trim	Only Available from Flexiteek Distributors

Flexiteek trims pair nicely with BUMP! profiles in a traditional finish, to maintain a co-ordinating stylised appearance without compromising impact resistance.

BUMP!

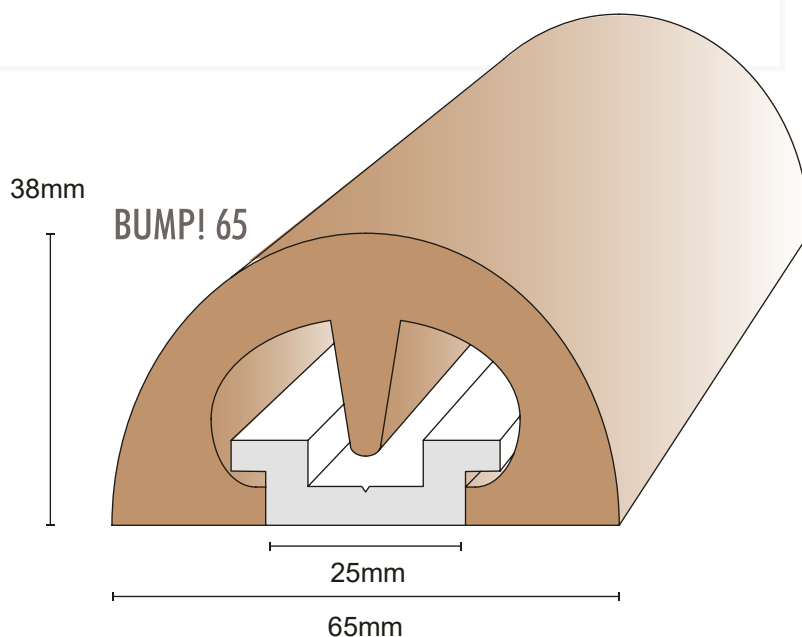
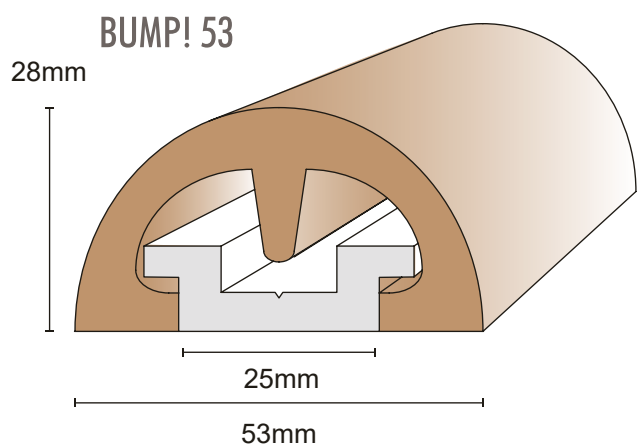


Great looking fendering that is quick and easy to fit with no front fastenings.

BUMP! has been developed to provide quick, simple installation without compromise to impact resistance.

Not only is it easier to fit than traditional D Fender, BUMP! also handles curves and an 80mm radius without the need to mitre either track or body.

BUMP! is available from stock in either a 53mm or 65mm body with a single track size to accommodate both.



PRODUCT	WIDTH	HIGHT	COLOUR	AVAILABILITY
BUMP! 53	53mm	28mm	Black/ White/ Traditional	10m, 20m & 30m Stock
BUMP! 65	65mm	38mm	Black/ White	15m & 25m Stock
BUMP! Track			White	3m Stock
BUMP! End Caps			Stainless Steel	Stock

END CAPS



ALI 68/EC

PRODUCT	MATCHING PROFILES
ALI 68/EC	ALI 68
Colour/ Material	Stainless Steel



ALI 114/EC

PRODUCT	MATCHING PROFILES
ALI 114/EC	ALI 114
Colour/ Material	Stainless Steel



BUMP! 65MM EC

PRODUCT	MATCHING PROFILES
BUMP! 65mm EC	BUMP! 65mm
Colour/ Material	Stainless Steel



ALI 604/605 EC

PRODUCT	MATCHING PROFILES
ALI 604/605 EC	ALI 604 ALI 605
Colour/ Material	Stainless Steel



ALI 606/EC

PRODUCT	MATCHING PROFILES
ALI 606/EC	ALI 606
Colour/ Material	Stainless Steel



PVC 180/EC

PRODUCT	MATCHING PROFILES
ALI 180/EC	PVC 180
Colour/ Material	Stainless Steel White GRP



PVC 1472/EC

PRODUCT	MATCHING PROFILES
PVC 1472/EC	PVC 1472
Colour/ Material	Stainless Steel



PVC 370/EC

PRODUCT	MATCHING PROFILES
PVC 370/EC	PVC 370
Colour/ Material	Stainless Steel Black GRP



PVC 1417/EC

PRODUCT	MATCHING PROFILES
PVC 1417/EC	PVC 1417
Colour/ Material	Black/White



PVC 4/EC

PRODUCT	MATCHING PROFILES
PVC 4/EC	PVC 4/2 PVC 4/5 PVC 4T
Colour/ Material	Stainless Steel



PCX 636/898/72 EC

PRODUCT	MATCHING PROFILES
PVC 898/ PVC 75/EC	PVC 72 PVC 636 PVC 898
Colour/ Material	Stainless Steel White GRP



BUMP! 53MM EC

PRODUCT	MATCHING PROFILES
BUMP! 53mm	BUMP! 53mm
Colour/ Material	Stainless Steel

END CAPS



PVC 49/EC

PRODUCT	MATCHING PROFILES
PVC 49/EC	PVC 49
Colour/ Material	Stainless Steel White GRP



CLICK 38/EC

PRODUCT	MATCHING PROFILES
Click 38/EC	Click 38
Colour/ Material	Stainless Steel



CLICK 50/EC

PRODUCT	MATCHING PROFILES
Click 50/EC	Click 50
Colour/ Material	Stainless Steel



CLICK 80/EC

PRODUCT	MATCHING PROFILES
Click 80/EC	Click 80
Colour/ Material	Stainless Steel

EDGING TRIMS

For concealing edges and finishing installations.



ET106

PRODUCT	DESCRIPTION	AVAILABILITY
ET106	3mm Black Edging Trim	50m min. order



ET101

PRODUCT	DESCRIPTION	AVAILABILITY
ET101	3mm White Edging Trim	50m min. order

FIXING STRIPS AND CORD PLUGGING

FIXING STRIPS

Our Rigid PVC Fixing Strips are to be used with our range of B and D fendering profiles.

They are inserted within the profile prior to fitting to provide additional strength and act as a continuous washer. This prevents the fixings from pulling through the flexible body when placed under pressure.



FIXING STRIP SIZES	AVAILABILITY
BUMP! Track	3m Stock
13 x 3mm Rigid PVC Strip	
15 x 5mm Rigid PVC Strip	
19 x 3mm Rigid PVC Strip	
25 x 3mm Rigid PVC Strip	
31 x 3mm Rigid PVC Strip	
38 x 5mm Rigid PVC Strip	4m Stock
50 x 3mm Rigid PVC Strip	

CORD PLUGGING

Our PVC cord is used to seal the holes in our D fender profiles following installation.

Manufactured with a UV stabilised, phthalate free, and 100% recyclable compound, our products are as kind to the environment as possible whilst delivering excellent in use performance.



DESCRIPTION	COLOUR	AVAILABILITY
8mm PVC Cord Plugging	Black, White & Traditional	3m Stock
13mm PVC Cord Plugging		
19mm PVC Cord Plugging		
25mm PVC Cord Plugging	Black	

ABOUT US

Beautifully engineered synthetic decking and marine products.

Wilks marine fendering products are currently celebrating 50 years of fendering innovation (1973-2023). The Wilks company was acquired by Flexiteek International AB in 2019 and has since changed its name to Flexiteek International Ltd. As a business we will continue to specialise in the manufacture and supply of PVC and aluminium, as well as Flexiteek 2G synthetic decking.

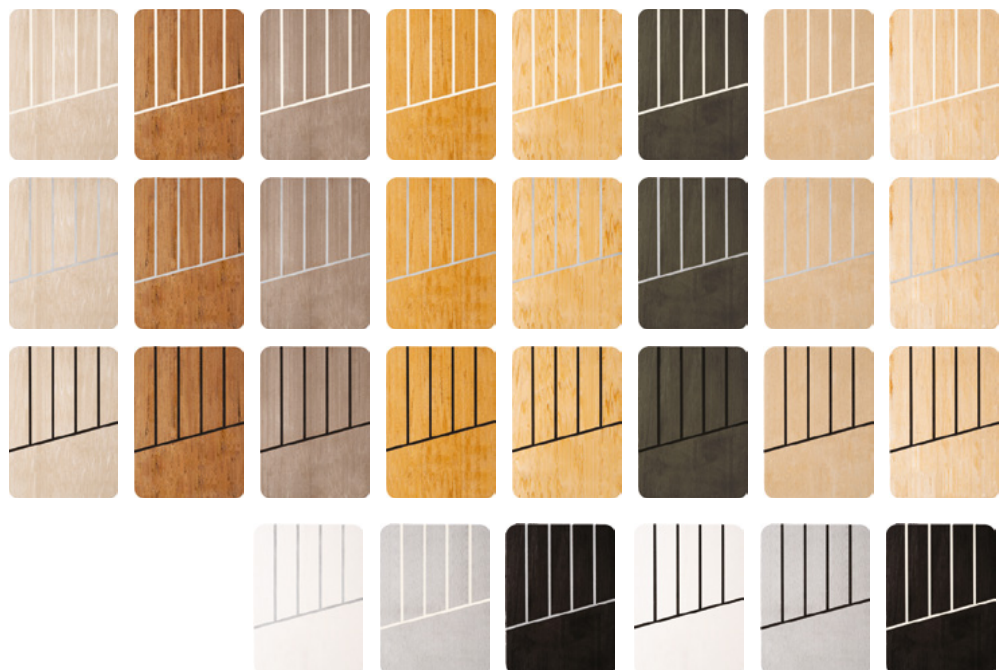
Our brands are established around the world and known for their quality, craftsmanship and market leading innovation.



COLOUR COMBINATIONS

Over 30 colour combinations to choose from.

Whether you fancy a classic teak look, or something more modern, we have 11 colours to choose from. Combined with Black, Grey or White caulking, this gives you an enviable range of combinations with which to customise your deck.



CONTACT US

If you would like further information on the Wilks products featured in this brochure, then we would love to hear from you.

Orders and sample requests can be placed through our website and/or sales team.

www.wilks.co.uk
Telephone: +44 (0)1621 869609
Email: info@wilks.co.uk
Opening Hours:
Monday - Friday
09:00 - 17:00

Flexiteek International Ltd.
Woodrolfe Road, Tollesbury,
Essex CM9 8RY England

DISCLAIMER

All dimensions and information shown in this brochure is to our knowledge correct at the time of distribution. They are subject to our normal manufacturing tolerances and any modifications that we feel are necessary. Whilst we have endeavoured to ensure that the information given in here is true and reliable it is given for only the guidance of our customers. It is the user's responsibility to ascertain the suitability of products by their own tests.

"Wilks" is a registered trademark of Flexiteek International Ltd.

No part of this catalogue may be reproduced without the express permission of Flexiteek International Ltd.

FLEXITEEK

Beautifully engineered synthetic decking
and marine products.

T +44 (0)1621 869609
E sales@wilks.co.uk
W www.wilks.co.uk
W www.flexiteek.com
A Woodrolfe Rd, Tollesbury,
Essex, CM9 8RY, England