



Marine fendering specialists





If you require further information about the Wilks products featured within this brochure, then we would love to hear from you. Orders and samples request can be placed through our website or our sales team.

ADDRESS

Flexiteek International Ltd.
Woodrolfe Road
Tollesbury
Essex
CM9 8RY

Opening Hours:
Monday - Friday
09:00 - 17:00

www.wilks.co.uk

Telephone: +44 (0)1621 869609
Email: info@wilks.co.uk

COMPANY OVERVIEW

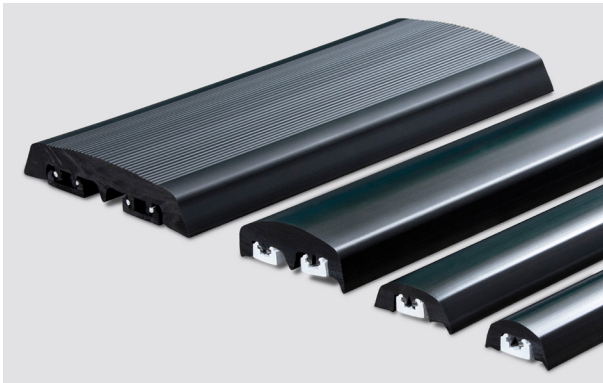
Wilks are one of the world's leading marine fendering brands, with a wide range of specialist profiles helping to protect every size of boat. This trusted, versatile, quality product can also be used for shopfitting fixture protection, and across general industry.

Celebrating its 50th year (1973 – 2023), the Wilks brand is manufactured in Essex in the UK, providing solutions worldwide to leading companies across marine and other sectors. The chances are you will have seen Wilks products in daily use without even realising it.

Proud Members:



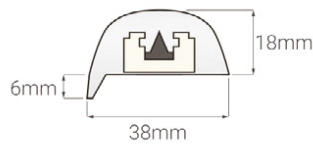
CLICK!



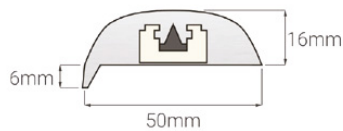
Click is the latest boat fendering system from Wilks and has been developed to provide a quick and simple installation without compromise to impact resistance.

The Click system consists of a rigid PVC track and flexible UV stabilised PVC body. To provide a quick fit fendering system with hidden fixings.

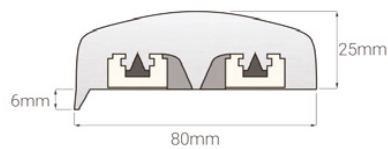
CLICK 38



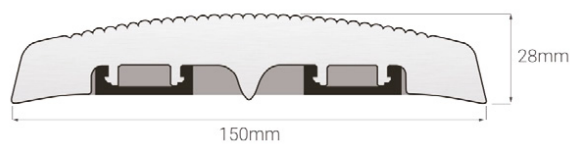
CLICK 50



CLICK 80



CLICK 150



BUMP!



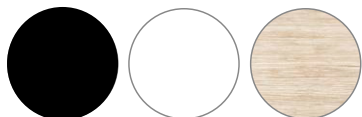
Great looking fendering that is quick and easy to fit with no front fastenings.

BUMP! has been developed to provide quick, simple installation without compromise to impact resistance.

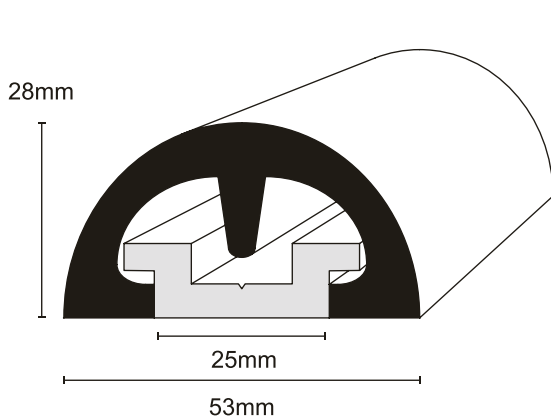
Not only is it easier to fit than traditional D Fender, BUMP! also handles curves and an 80mm radius without the need to mitre either track or body.

BUMP! is available from stock in either a 53mm or 65mm body with a single track size to accommodate both.

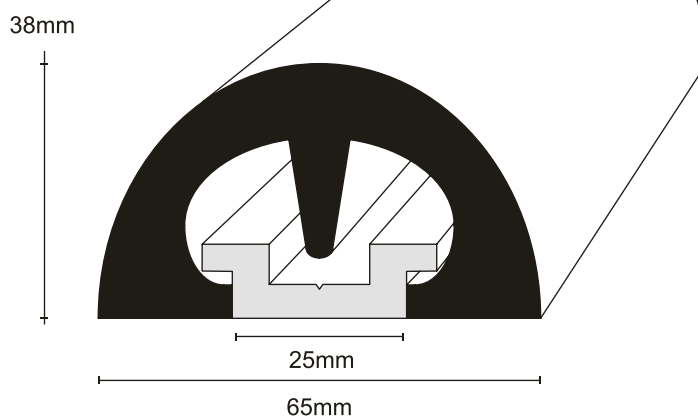
Available in black, white or traditional wood effect finish.



BUMP! 53



BUMP! 65



PONTOON FENDERING

Our pontoon fendering profiles have been designed with ease of installation and to provide lasting levels of protection.



PVC 1543

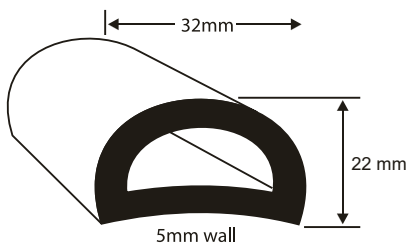
117mm base
25mm leg

PVC 1893

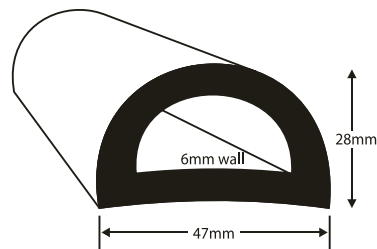
135mm base
40mm high

D PROFILES

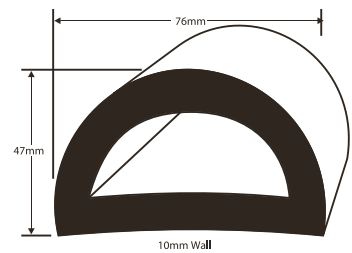
PVC 50



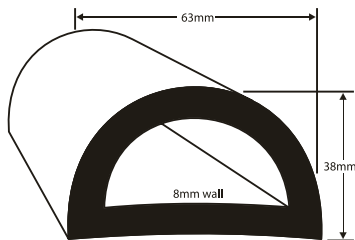
PVC 49



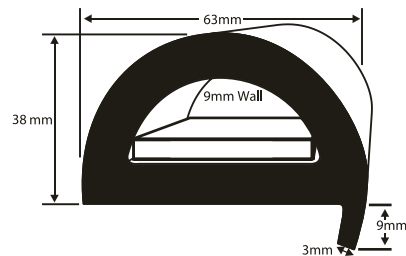
PVC 898



PVC 632

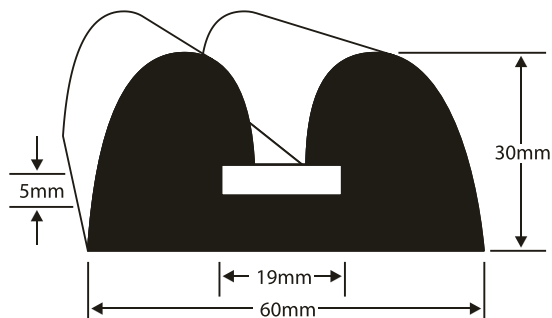


PVC 276



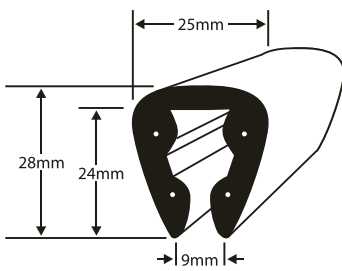
B PROFILES

PVC 883

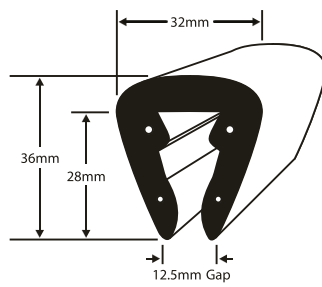


U PROFILES

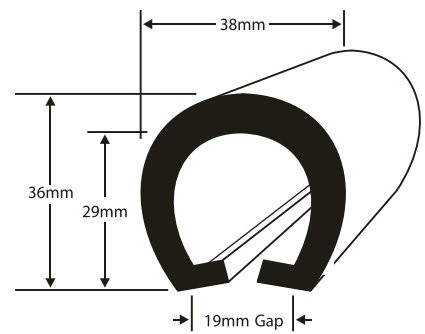
PVC 4/5



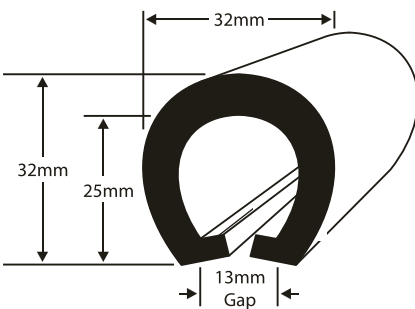
PVC 6



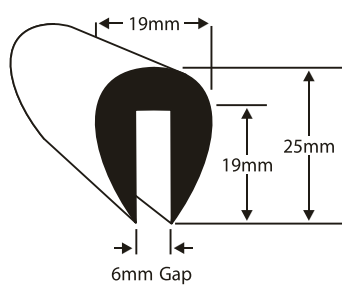
PVC 204



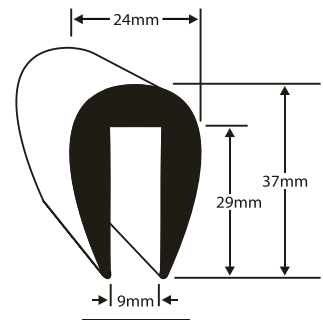
PVC 205



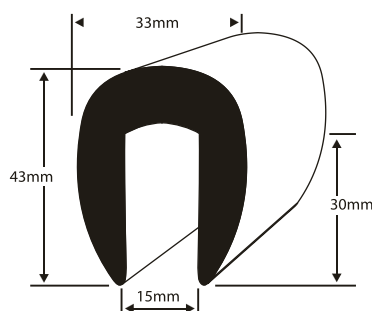
PVC 40



PVC 1/5

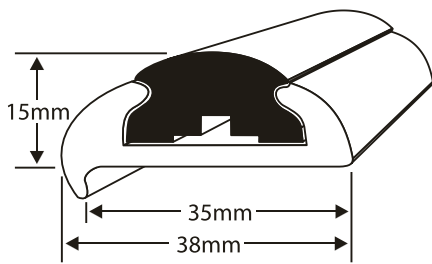


PVC 2010

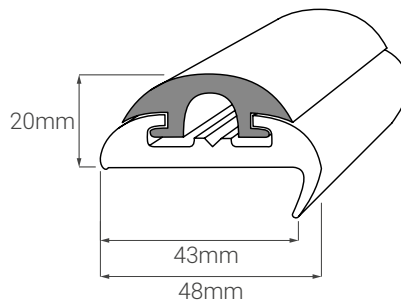


RIGID PVC WITH PVC INSERTS

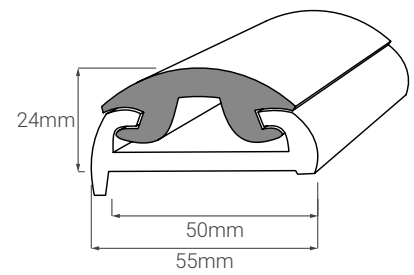
PVC 1472R



PVC 1417R



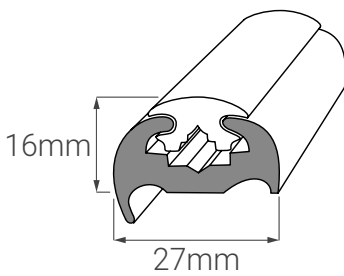
PVC 1613R



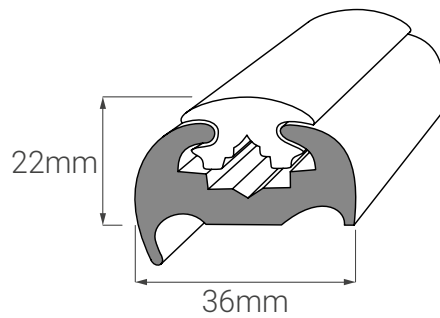
Also available with a larger insert.
Contact Sales for details.

FLEXIBLE PVC WITH INSERT

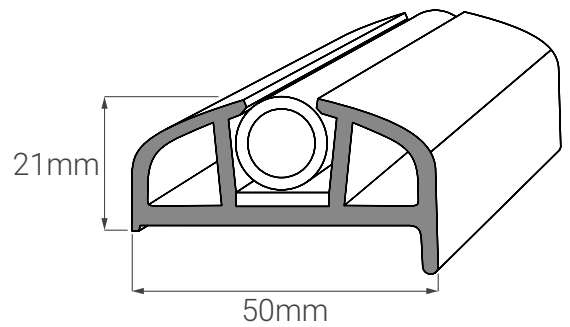
PVC 180



PVC 370



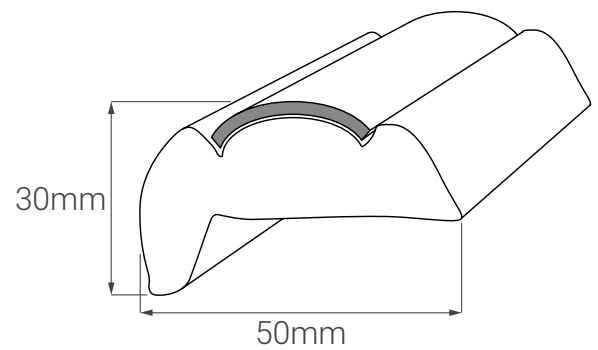
PVC 168



RIGID PVC WITH STAINLESS STEEL INSERT

Stainless steel provides a contemporary look well suited to luxury modern boat design. To view our full range visit www.wilks.co.uk.

PVC 1881R

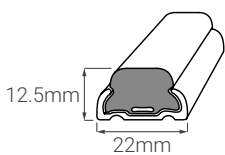


ALUMINIUM WITH PVC INSERT

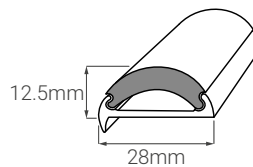
Our range of aluminium profiles provide a classic boat fendering solution which is simple to install for both the amateur and professional alike. All of our aluminium boat profiles are supplied polished and anodised, unless otherwise stated.

Flexible PVC inserts neatly clip in to the aluminium to offer protection against external surfaces.

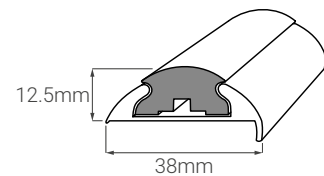
ALI 5222
(ANODISED ONLY)



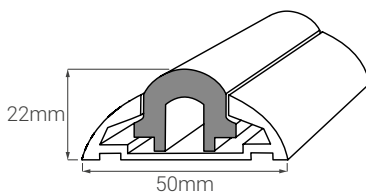
ALI 114
(ANODISED ONLY)



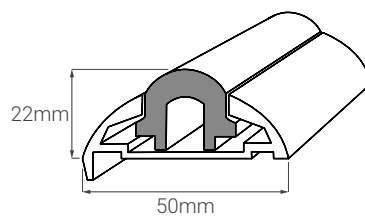
ALI 68
(ANODISED ONLY)



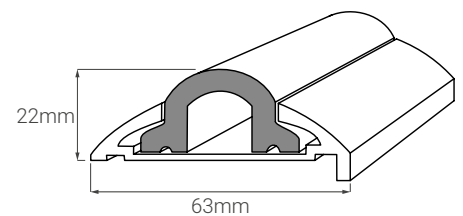
ALI 604



ALI 605



ALI 606



FLEXITEEK

ABOUT US

Beautifully engineered synthetic decking and marine products.

Wilks marine fendering products are celebrating 50 years of fendering innovation (1973-2023). The Wilks company was acquired by Flexiteek International AB in 2019 and has since changed its name to Flexiteek International Ltd. As a business we will continue to specialise in the manufacture and supply of PVC and aluminium as well as Flexiteek 2G synthetic decking.

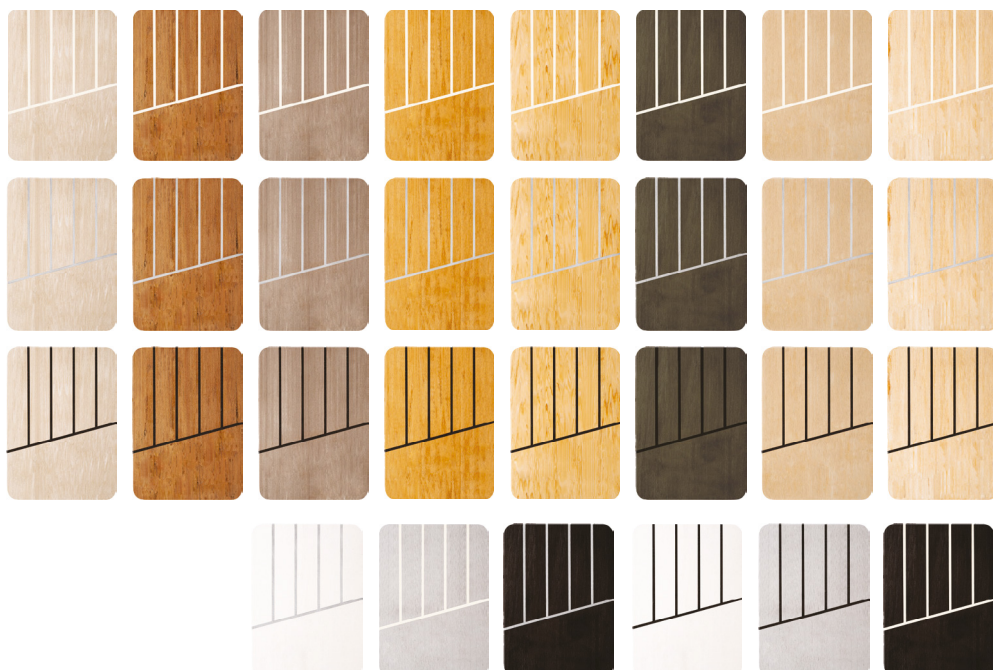
Our brands are established around the world and known for their quality, craftsmanship and market leading innovation.



COLOUR COMBINATIONS

Over 30 colour combinations to choose from.

Whether you fancy a classic teak look, or something more modern, we have 11 colours to choose from. Combined with Black, Grey or White caulking, this gives you an enviable range of combinations to customise your boat with.



FLEXITEEK



WIDE RANGE OF COLOURS

Each profile is available un-sanded in the same colours as Flexiteek 2G synthetic teak, providing the ultimate uniform look to you craft.



LOOKS AND FEELS LIKE WOOD

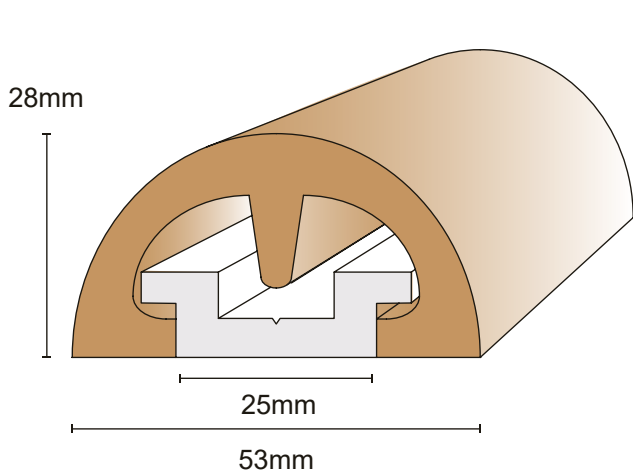
The Flexiteek Trims range is designed to both look and feel like real wood. Featuring the sought-after low maintenance qualities of Flexiteek 2G synthetic teak.

For more information on the Flexiteek Trims range please contact your nearest Flexiteek Distributor. You can find one close to you at www.flexiteek.com/find-a-distributor/

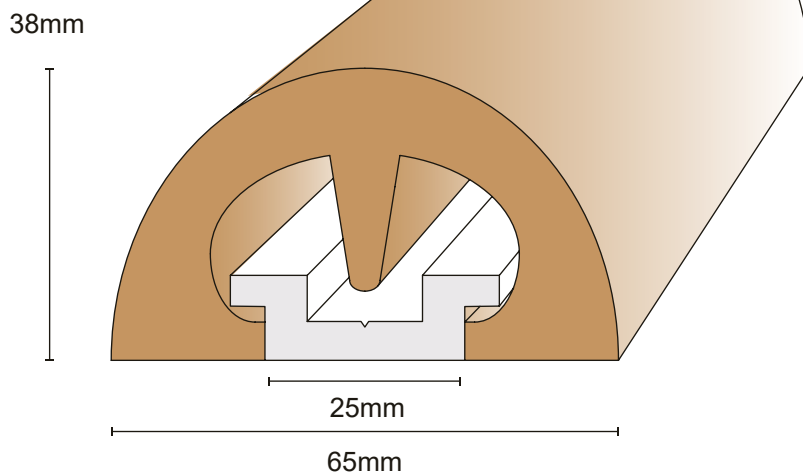
FENDERING

Supplied in "factory finish" ready for sanding.

BUMP! 53



BUMP! 65



CONTACT US

If you would like further information on the Wilks products featured in this brochure, then we would love to hear from you.

Orders and sample requests can be placed through our website and/or sales team.

www.wilks.co.uk
Telephone: +44 (0)1621 869609
Email: info@wilks.co.uk
Opening Hours:
Monday - Friday
09:00 - 17:00

Flexiteek International Ltd.
Woodrolfe Road, Tollesbury,
Essex CM9 8RY England

DISCLAIMER

All dimensions and information shown in this brochure is to our knowledge correct at the time of distribution. They are subject to our normal manufacturing tolerances and any modifications that we feel are necessary. Whilst we have endeavoured to ensure that the information given in here is true and reliable it is given for only the guidance of our customers. It is the user's responsibility to ascertain the suitability of products by their own tests.

"Wilks" is a registered trademark of Flexiteek International Ltd.

No part of this catalogue may be reproduced without the express permission of Flexiteek International Ltd.

FLEXITEEK

Beautifully engineered synthetic decking
and marine products.

T +44 (0)1621 869609
E sales@wilks.co.uk
W www.wilks.co.uk
W www.flexiteek.com
A Woodrolfe Rd, Tollesbury,
Essex, CM9 8RY, England